

# Data sheet

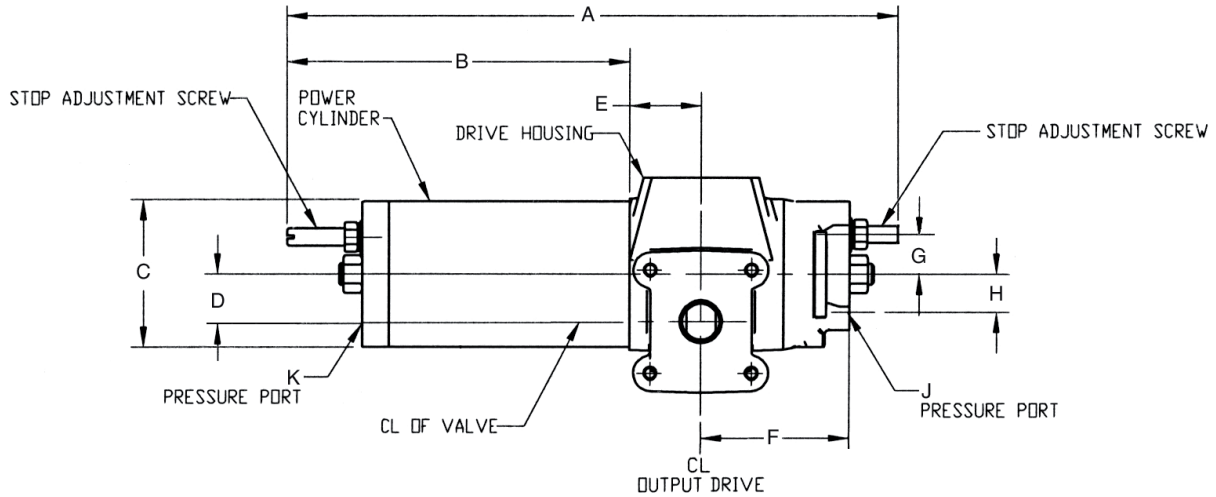
Sheet No.: CBPM 3.01 Rev D

Date: August 2012

CBB-Series

## Dimensions – (Pneumatic) mm.

### Double-Acting Actuators CBBXXX



Actuator Model	A	B	C	D	E	F	G	H	J/K	L	M	N
CBB315	359.8	187.5	82.6	27.8	47.8	87.8	23.8	23.9	1/4" NPT	.313-18 UNC	9.7	57.2
CBB420	417.3	217.6	108.0	34.9	54.1	111.0	27.9	27.9	3/8" NPT	.375-16 UNC	12.7	76.2
CBB520	418.1	219.2	136.7	34.9	53.5	111.0	27.9	27.9	3/8" NPT	.375-16 UNC	12.7	76.2
CBB525	488.1	250.9	136.7	42.9	65.0	127.0	31.8	28.4	3/8" NPT	.500-13 UNC	12.7	88.9
CBB725	492.7	260.1	190.5	42.9	64.2	127.0	31.8	28.4	3/8" NPT	.500-13 UNC	12.7	88.9

Actuator Model	P	Q	R	S	T	U	V	W	X	Y	Z	AA
CBB315	.313-18 UNC	28.6	73.8	147.6	19.1	56.4	131.5	15.60 15.75	26.2	95.3	27.8	22.17 22.23
CBB420	.375-16 UNC	38.1	85.1	169.9	19.1	71.3	158.9	21.95 22.10	26.2	117.5	35.1	28.52 28.58
CBB520	.375-16 UNC	38.1	85.1	169.9	19.1	71.3	158.9	21.95 22.10	26.2	117.5	35.1	28.52 28.58
CBB525	.500-13 UNC	44.5	111.1	222.3	28.4	88.9	192.6	28.32 28.47	38.1	146.1	42.9	38.05 38.10
CBB725	.500-13 UNC	44.5	111.1	222.3	28.4	88.9	192.6	28.32 28.47	38.1	146.1	42.9	38.05 38.10

Note: Not Certified dimensional drawings. Such drawings available on request.  
Contact factory with correct model designation and serial number.  
All dimensions are expressed in millimeters.

**BETTIS**<sup>™</sup>

www.Bettis.com

Copyright © Emerson Process Management. The information in this document is subject to change without notice.  
Updated data sheets can be obtained from our website [www.bettis.com](http://www.bettis.com) or from your nearest Valve Automation Center.  
USA: +1 281 727 5300 Europe: +31 74 256 1010 Asia-Pacific: +65 6501 4600

  
**EMERSON**<sup>™</sup>  
Process Management

# Data sheet

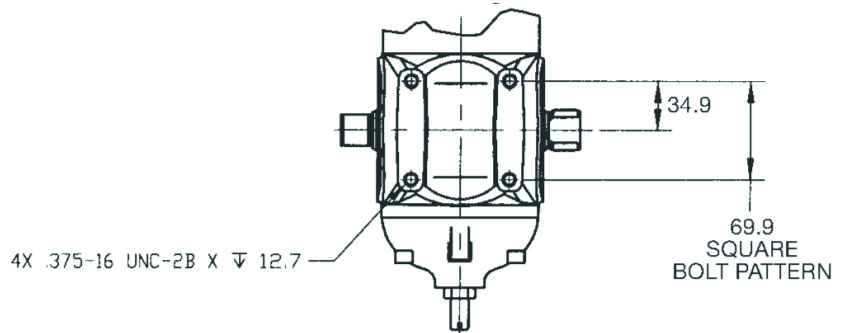
Sheet No.: CBPM 3.02 RevC

Date: September 2011

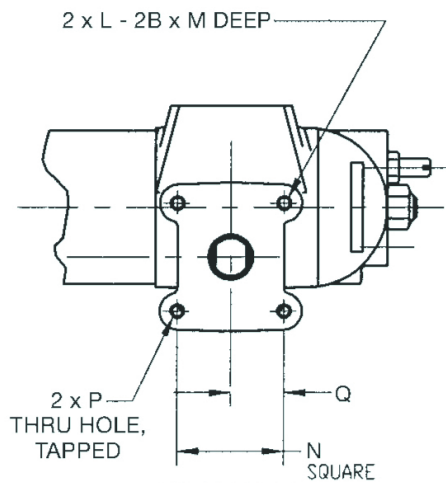
CBB-Series

## Dimensions – (Pneumatic) mm.

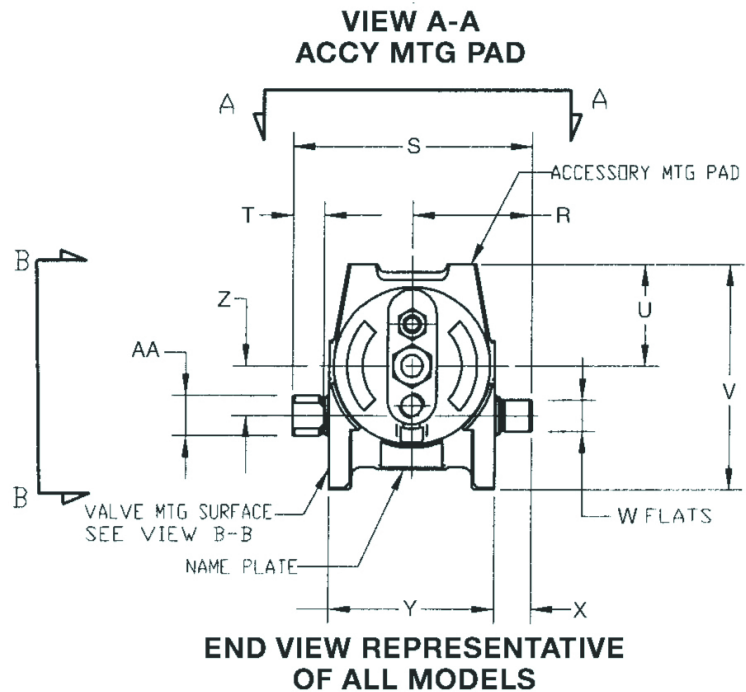
Double-Acting Actuators  
CBBXXX (cont.)



ACTUATORS SHOWN ROTATED  
TO FULL CLOCKWISE POSITION



**VIEW B-B**  
**VALVE MTG SURFACE**  
**TYP BOLT PATTERN BOTH SIDES**  
**NOTE OPPOSING OUTPUT**  
**SHAFT ORIENTATION**



**END VIEW REPRESENTATIVE**  
**OF ALL MODELS**

Note: Not Certified dimensional drawings. Such drawings available on request.  
Contact factory with correct model designation and serial number.  
All dimensions are expressed in millimeters.

**BETTIS**<sup>™</sup>

www.Bettis.com

Copyright © Emerson Process Management. The information in this document is subject to change without notice.  
Updated data sheets can be obtained from our website [www.bettis.com](http://www.bettis.com) or from your nearest Valve Automation Center.  
USA: +1 281 727 5300 Europe: +31 74 256 1010 Asia-Pacific: +65 6501 4600

**EMERSON**<sup>™</sup>  
Process Management

# Data sheet

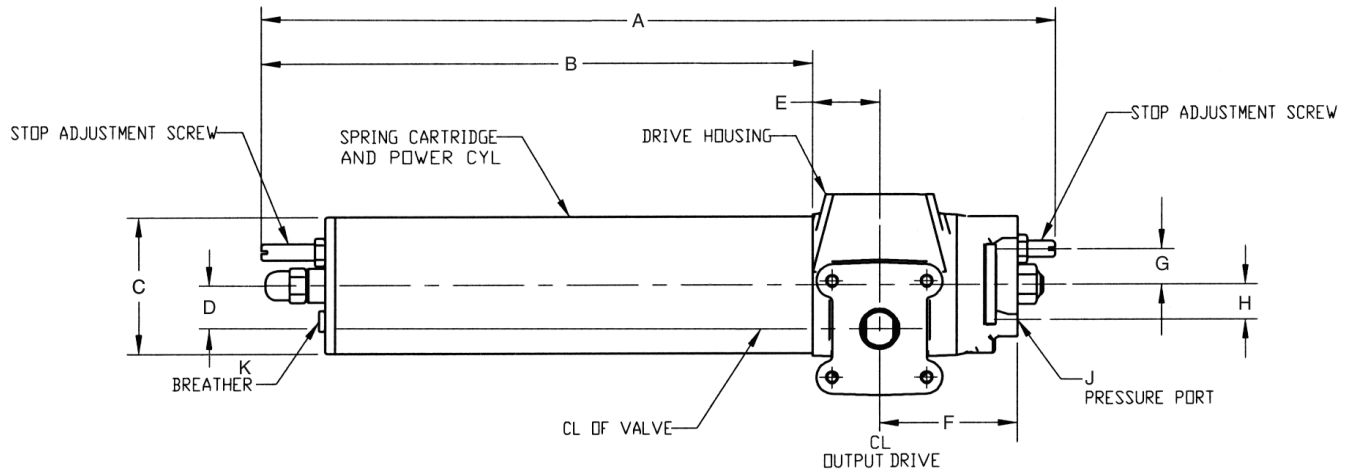
Sheet No.: CBPM 3.03 Rev E

Date: January 2013

# CBB-Series

## Dimensions – (Pneumatic) mm.

### Spring-Return Actuators CBB XXX-SRX



Actuator Model	A	B	C	D	E	F	G	H	J	K	L
CBB315-SRX	511.2	347.0	82.6	27.8	47.8	87.8	23.8	23.9	1/4" NPT	1/4" NPT	.313-18 UNC
CBB415-SRX	513.3	348.2	108.0	27.8	47.8	87.8	23.9	23.9	1/4" NPT	1/4" NPT	.313-18 UNC
CBB420-SRX	623.3	433.5	108.0	34.9	54.1	111.0	27.9	27.9	3/8" NPT	1/4" NPT	.375-16 UNC
CBB520-SRX	631.9	442.9	136.7	34.9	52.2	111.0	27.9	27.9	3/8" NPT	1/4" NPT	.375-16 UNC
CBB525-SRX	716.6	457.4	136.7	42.9	65.0	127.0	31.8	28.4	3/8" NPT	1/4" NPT	.500-13 UNC
CBB725-SRX	713.6	466.7	190.5	42.9	64.2	127.0	31.8	28.4	3/8" NPT	1/4" NPT	.500-13 UNC

Actuator Model	M	N	P	Q	R	S	T	U	V	W	X	Y	Z	AA
CBB315-SRX	9.7	57.2	.313-18 UNC	28.6	73.8	147.6	19.1	56.4	131.5	15.60 15.75	26.2	95.3	27.8	22.17 22.23
CBB415-SRX	9.7	57.2	.313-18 UNC	28.6	73.8	147.6	19.1	56.4	131.5	15.60 15.75	26.2	95.3	27.8	22.17 22.23
CBB420-SRX	12.7	76.2	.375-16 UNC	38.1	85.1	169.9	19.1	71.3	158.9	21.95 22.10	26.2	117.5	35.1	28.52 28.58
CBB520-SRX	12.7	76.2	.375-16 UNC	38.1	85.1	169.9	19.1	71.3	158.9	21.95 22.10	26.2	117.5	35.1	28.52 28.58
CBB525-SRX	12.7	88.9	.500-13 UNC	44.5	111.1	222.3	28.4	88.9	192.6	28.32 28.47	38.1	146.1	42.9	38.05 38.10
CBB725-SRX	12.7	88.9	.500-13 UNC	44.5	111.1	222.3	28.4	88.9	192.6	28.32 28.47	38.1	146.1	42.9	38.05 38.10

Note: Not Certified dimensional drawings. Such drawings available on request.  
Contact factory with correct model designation and serial number.  
All dimensions are expressed in millimeters.

# BETTIS™

www.Bettis.com

Copyright © Emerson Process Management. The information in this document is subject to change without notice.  
Updated data sheets can be obtained from our website [www.bettis.com](http://www.bettis.com) or from your nearest Valve Automation Center.  
USA: +1 281 727 5300 Europe: +31 74 256 1010 Asia-Pacific: +65 6501 4600

**EMERSON™**  
Process Management

# Data sheet

Sheet No.: CBPM 3.04 RevC

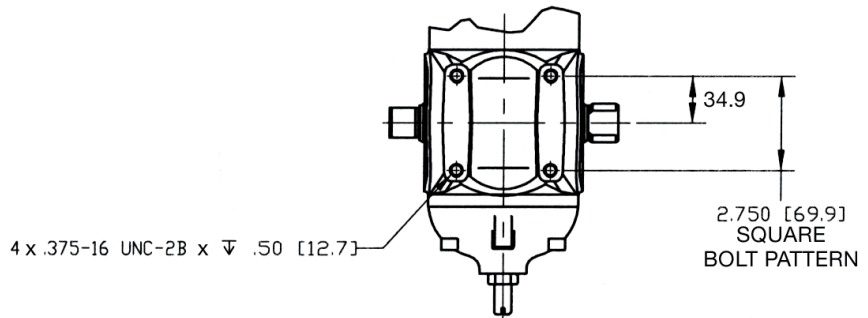
Date: September 2011

# CBB-Series

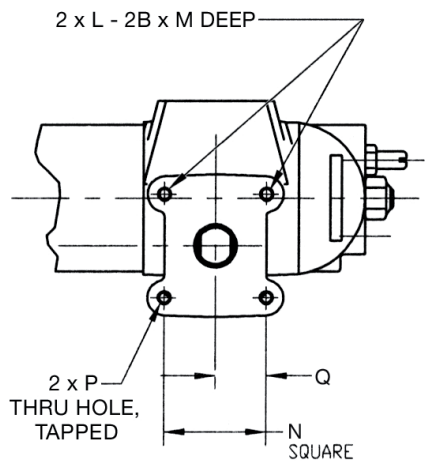
## Dimensions – (Pneumatic) mm.

### Spring-Return Actuators

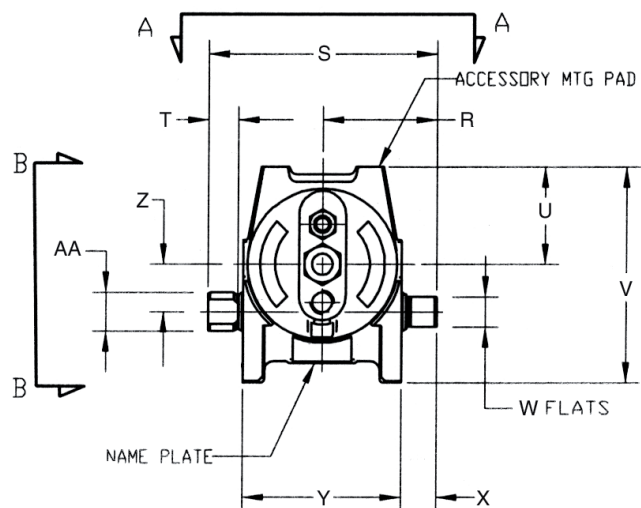
CBB XXX-SRX (cont.)



ACTUATORS SHOWN ROTATED TO FULL CLOCKWISE POSITION



**VIEW B-B**  
**VALVE MTG SURFACE**  
**TYP BOLT PATTERN BOTH SIDES**  
**NOTE OPPOSING OUTPUT**  
**SHAFT ORIENTATION**



**END VIEW REPRESENTATIVE**  
**OF ALL MODELS**

Note: Not Certified dimensional drawings. Such drawings available on request.  
Contact factory with correct model designation and serial number.  
All dimensions are expressed in millimeters.

# BETTIS™

www.Bettis.com

Copyright © Emerson Process Management. The information in this document is subject to change without notice.  
Updated data sheets can be obtained from our website [www.bettis.com](http://www.bettis.com) or from your nearest Valve Automation Center.  
USA: +1 281 727 5300 Europe: +31 74 256 1010 Asia-Pacific: +65 6501 4600

**EMERSON™**  
Process Management

# Data sheet

Sheet No.: CBPM 3.05 RevC

Date: September 2011

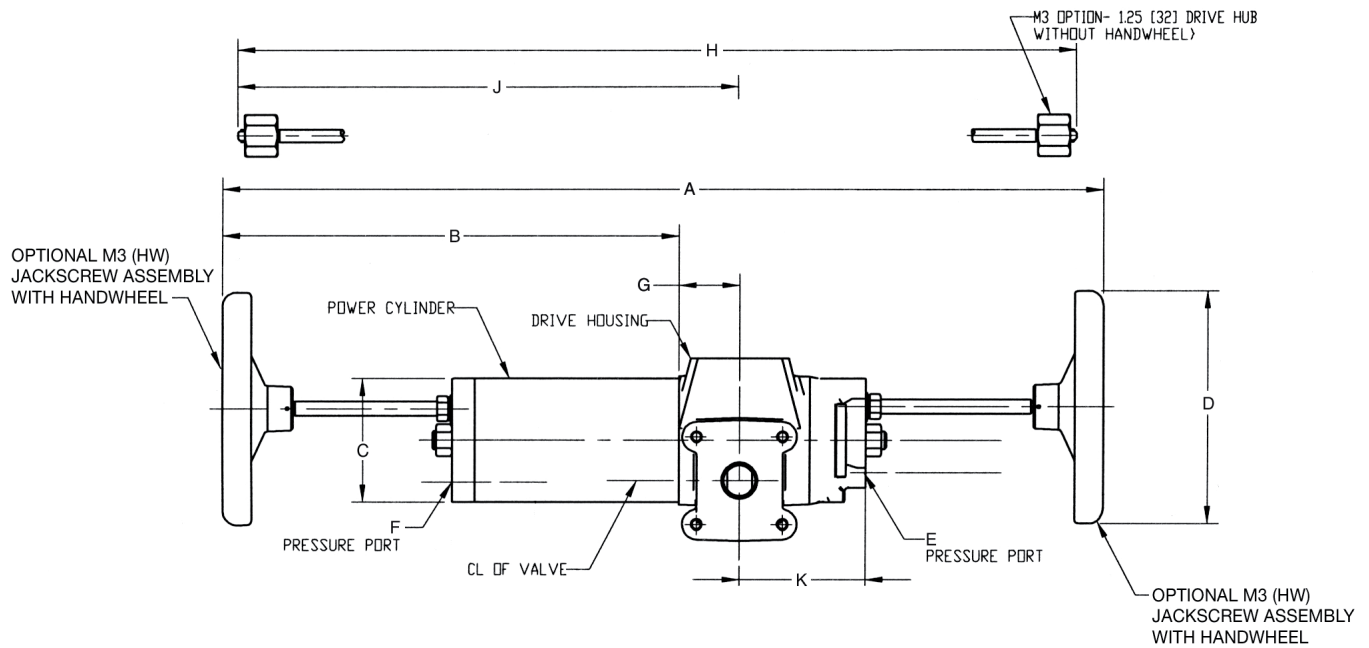
CBB-Series

## Dimensions – (Pneumatic) mm.

### M3(HW) Override

Double-Acting Actuators

CBB XXX-M3(HW)



Actuator Model	A	B	C	D	E	F	G	H	J	K
CBB315-M3HW	640.8	365.0	82.6	152.4	1/4" NPT	1/4" NPT	47.6	614.9	365.0	88.2
CBB420-M3HW	776.8	401.8	108.0	203.2	3/8" NPT	3/8" NPT	54.0	739.6	441.1	111.1
CBB520-M3HW	776.8	402.5	133.4	203.2	3/8" NPT	3/8" NPT	53.2	738.0	441.1	111.1
CBB525-M3HW	927.5	480.5	133.4	254.0	3/8" NPT	3/8" NPT	65.0	867.9	515.8	127.0
CBB725-M3HW	930.8	484.6	190.5	254.0	3/8" NPT	3/8" NPT	64.2	867.9	515.8	127.0

Note: Not Certified dimensional drawings. Such drawings available on request.  
 Contact factory with correct model designation and serial number.  
 All dimensions are expressed in millimeters.

**BETTIS**<sup>™</sup>

www.Bettis.com

Copyright © Emerson Process Management. The information in this document is subject to change without notice.  
 Updated data sheets can be obtained from our website [www.bettis.com](http://www.bettis.com) or from your nearest Valve Automation Center.  
 USA: +1 281 727 5300 Europe: +31 74 256 1010 Asia-Pacific: +65 6501 4600

  
**EMERSON**<sup>™</sup>  
 Process Management

# Data sheet

Sheet No.: CBPM 3.06 RevC

Date: September 2011

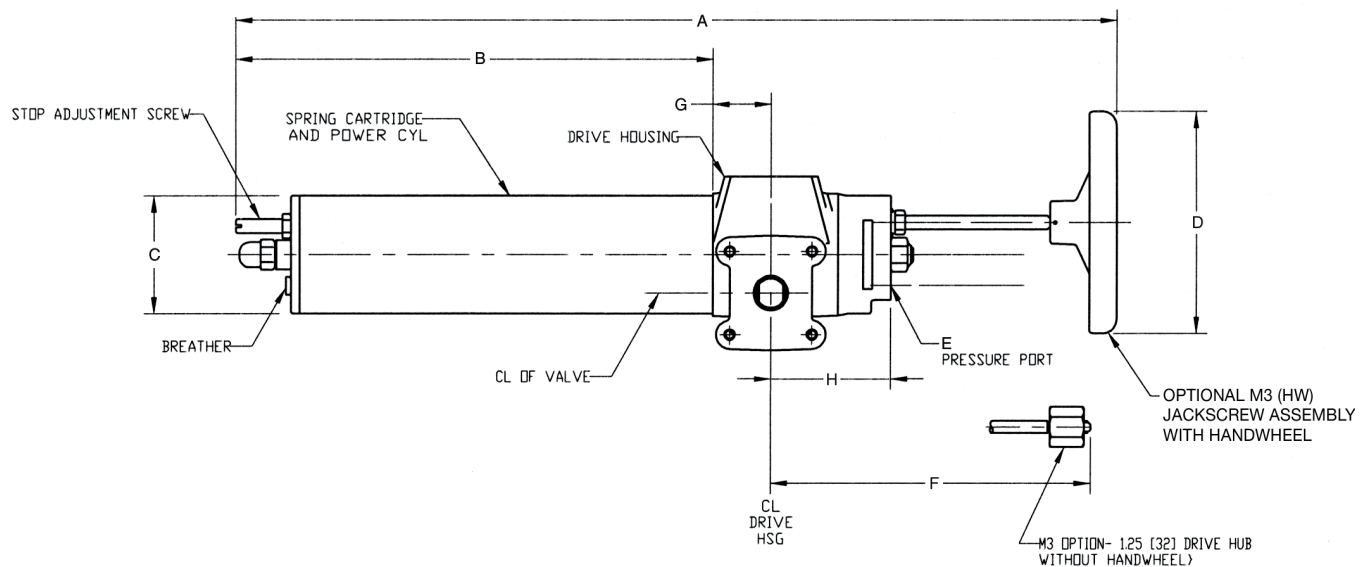
CBB-Series

## Dimensions – (Pneumatic) mm.

### M3(HW) Override

#### Spring-Return Actuators

#### CBB XXX-SRX-M3



Actuator Model	A	B	C	D	E	F	G	H
CBB315-SR-M3HW	677.1	366.5	82.6	152.4	1/4" NPT	249.9	47.6	88.2
CBB415-SR-M3HW	679.1	368.6	108.0	152.4	1/4" NPT	249.9	47.6	88.2
CBB420-SR-M3HW	816.2	441.3	108.0	203.2	3/8" NPT	297.0	54.0	111.1
CBB520-SR-M3HW	816.8	442.7	136.7	203.2	3/8" NPT	297.0	53.2	111.1
CBB525-SR-M3HW	937.9	491.0	136.7	254.0	3/8" NPT	351.9	65.0	127.0
CBB725-SR-M3HW	939.2	493.1	190.5	254.0	3/8" NPT	352.1	64.2	127.0

Note: Not Certified dimensional drawings. Such drawings available on request.  
 Contact factory with correct model designation and serial number.  
 All dimensions are expressed in millimeters.

**BETTIS**<sup>™</sup>

www.Bettis.com

Copyright © Emerson Process Management. The information in this document is subject to change without notice.  
 Updated data sheets can be obtained from our website [www.bettis.com](http://www.bettis.com) or from your nearest Valve Automation Center.  
 USA: +1 281 727 5300 Europe: +31 74 256 1010 Asia-Pacific: +65 6501 4600

**EMERSON**<sup>™</sup>  
 Process Management