

**Description**

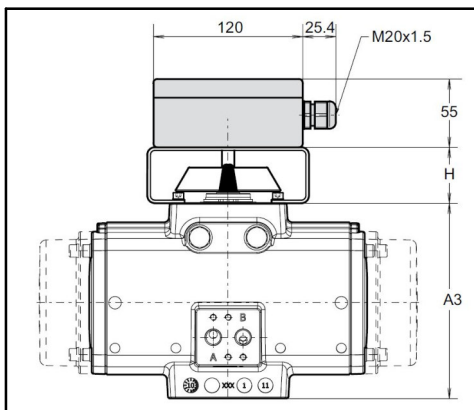
This low duty Vestamid intrinsically safe switchbox encloses a dual sensor, mounted on a printed circuit board, for indicating the fully open and fully closed actuator positions.

The dual sensor is operated by a cam on an extension of the actuator drive shaft and all mechanical parts are contained within the enclosure.

The standard switch operation is "unswitched", optional the operation can be supplied as "switched".

The dual sensor is pre-wired on a printed circuit board and is easily accessible when the top cover is removed. The cover screws are captive.

The switchbox is mounted on top of the actuator with an accessory bracket according VDI/VDE 3845 (NAMUR). Actuators optionally incorporate a visual position indicator.



**Ingress protection**

The enclosure is ingress proof to IP65 and as such completely dust and water tight.

**Certification**

The switchbox is certified for use in zones 0, 1 and 2 with all gas groups.

**Product marking**

**ATEX - Zones 0, 1 and 2**

Method: Intrinsically safe  
 Marking: Ⓜ II 1G Ex ia IIC T6...T4 Ga  
 Certificate: DEKRA 18ATEX0079X  
 Temperature: -20°C to +70°C

The actual upper temperature may be limited by the application. See examination certificate or manual for more detailed info.

**Specification**

**Switches**

Make: Pepperl & Fuchs  
 Type: PL3-F25-N4-K  
 Voltage: 8 VDC (Ri = 1kOhm)  
 Amps (output): Switched, <1mA, Unswitched, >3mA  
 Standards: DIN EN 60947-5-6 (NAMUR)  
 Switch operation: Standard "Unswitched" Option "Switched"

**Housing**

Material: Conductive enclosure (Vestamid), Window diameter 50mm: ABS  
 Electrical Entry: 1x M20x1,5  
 Enclosure: IP65  
 Mounting: Acc. NAMUR VDI/VDE 3845, the F12 Actuator has his own bracket

**Identification**

LDN-IS9 Vestamid enclosure with Pepperl & Fuchs PL3-F25-N4-K

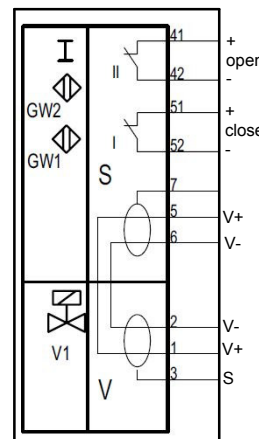
**Option**

Aluminium housing

**supplied, pre-installed cable gland**

Clamping and sealing range: 5-9 mm  
 Torque clamping nut: 4,5 Nm

**Terminal connections**  
**P&F Type: PL3-F25-N4-K**



(one cable entry, solenoid valve connection not used)

Dim. In	Actuator model												
	mm.	F12	F25	F40	F65	F100	F150	F200	F350	F600	F950	F1600	F2500
<b>A1 - FS</b>	118	166	192	217	247	304	362	385	476	658	732	877	959
<b>A2 - FD</b>	103	166	192	217	247	235	265	284	356	400	462	550	649
<b>A3</b>	80	91	112	124	131	157	163	201	248	268	302	354	389
<b>A5</b>	60	68	82	92	103	116	124	161	195	239	306	350	400
<b>A6</b>	60	49	55	58	64	69	72	85	102	131	149	170	196
<b>H</b>	45	45	45	45	45	45	45	45	55	55	55	55	55