

**BETTIS**

**SERVICE INSTRUCTIONS**

**DISASSEMBLY AND REASSEMBLY**

**FOR CBA DOUBLE ACTING**

**SERIES PNEUMATIC ACTUATORS**

PART NUMBER: 137464E

REVISION: "C"

RELEASE DATE: 18 April 2007

# CONTENTS

	<b>Page</b>
<b><u>SECTION 1 - INTRODUCTION</u></b> .....	<b>2</b>
1.1 GENERAL SERVICE INFORMATION .....	2
1.2 DEFINITIONS.....	3
1.3 GENERAL SAFETY INFORMATION .....	3
1.4 BETTIS REFERENCE MATERIALS .....	3
1.5 SERVICE SUPPORT ITEMS.....	3
1.6 LUBRICATION REQUIREMENTS .....	4
1.7 GENERAL TOOL INFORMATION .....	4
1.8 ACTUATOR WEIGHT.....	4
<b><u>SECTION 2 - ACTUATOR DISASSEMBLY</u></b> .....	<b>5</b>
2.1 GENERAL DISASSEMBLY .....	5
2.2 PNEUMATIC CYLINDER DISASSEMBLY .....	5
2.3 HOUSING DISASSEMBLY.....	6
<b><u>SECTION 3 - ACTUATOR REASSEMBLY</u></b> .....	<b>8</b>
3.1 GENERAL REASSEMBLY .....	8
3.2 ACTUATOR REASSEMBLY PER CBA MODELS LISTED IN STEP 3.1.5.1 .....	9
3.3 ACTUATOR REASSEMBLY PER CBA MODELS LISTED IN STEP 3.1.5.2 .....	13
<b><u>SECTION 4 - ACTUATOR TESTING</u></b> .....	<b>18</b>
4.1 ACTUATOR TESTING.....	18

## SECTION 1 - INTRODUCTION

### 1.1 GENERAL SERVICE INFORMATION

1.1.1 This service procedure is offered as a guide to enable general maintenance to be performed on Bettis CBA double acting series actuators. The following is a list of general CBA models numbers

MODEL (1)		MODEL (1)		MODEL (1)
CBA315		CBA315-M3		CBA315-M3HW
CBA420		CBA420-M3		CBA420-M3HW
CBA520		CBA520-M3		CBA520-M3HW
CBA525		CBA525-M3		CBA525-M3HW
CBA725		CBA725-M3		CBA725-M3HW
(1) Also includes actuator models with -10 and -11 as a suffix				

NOTE: When the actuator model number has "-S" as a suffix then the actuator is special and may have some differences that may not be included in this procedure.

1.1.2 Normal recommended service interval for this actuator series is five years.

NOTE: Storage time is counted as part of the service interval.

1.1.3 This procedure is applicable with the understanding that all electrical power and pneumatic pressure has been removed from the actuator.

1.1.4 Remove all piping and mounted accessories that will interfere with the module(s) that are to be worked on.

1.1.5 This procedure should only be implemented by a technically competent technician who should take care to observe good workmanship practices.

1.1.6 Numbers in parentheses, ( ) indicate the bubble number (reference number) used on the Bettis Assembly Drawing and Actuator Parts List.

1.1.7 When removing seals from seal grooves, use a commercial seal removing tool or a small screwdriver with sharp corners rounded off.

1.1.8 Use a non-hardening thread sealant on all pipe threads.

CAUTION: Apply the thread sealant per the manufacture's instructions.

1.1.9 Bettis recommends that disassembly of the actuator should be done in a clean area on a workbench.

## 1.2 DEFINITIONS

- WARNING:** If not observed, user incurs a high risk of severe damage to actuator and/or fatal injury to personnel.
- CAUTION:** If not observed, user may incur damage to actuator and/or injury to personnel.
- NOTE:** Advisory and information comments provided to assist maintenance personnel to carry out maintenance procedures.
- M3:** Jackscrew or jackscrew assembly.
- ES:** Extended Stop(s)

## 1.3 GENERAL SAFETY INFORMATION

- 1.3.1 Products supplied by Bettis, in its "as shipped" condition, are intrinsically safe if the instructions contained within this Service Instruction are strictly adhered to and executed by well trained, equipped, prepared and competent personnel.

**WARNING:** For the protection of personnel working on Bettis actuators, this procedure should be reviewed and implemented for safe disassembly and reassembly. Close attention should be noted to the WARNINGS, CAUTIONS and NOTES contained in this procedure.

**WARNING:** This procedure should not supersede or replace any customer's plant safety or work procedures. If a conflict arises between this procedure and the customer's procedures the differences should be resolved in writing between an authorized customer's representative and an authorized Bettis representative.

## 1.4 BETTIS REFERENCE MATERIALS

- 1.4.1 CBAXXX Assembly Drawing use part number 129738.
- 1.4.2 CBAXXX-M3HW Assembly Drawing use part number 129740.

## 1.5 SERVICE SUPPORT ITEMS

- 1.5.1 Bettis Service Kit.
- 1.5.2 Commercial leak testing solution.
- 1.5.3 Non-hardening thread sealant.

**1.6 LUBRICATION REQUIREMENTS**

1.6.1 The actuator should be re-lubricated at the beginning of each service interval using the following recommended lubricants.

NOTE: Lubricants other than those listed in steps 1.6.2 should not be used without prior written approval of Bettis Product Engineering. The lubricant item number on some assembly drawings is item (5) while the Bettis service kits lubricant item number is item number (500).

1.6.2 All temperature services (-50°F to +350°F)/(-45.5°C to 176.6°C) use Bettis ESL-5 lubricant. ESL-5 lubricant is contained in the Bettis Module Service Kit in tubes and the tubes are marked ESL-4,5 & 10 lubricant.

**1.7 GENERAL TOOL INFORMATION**

1.7.1 All threads on CBA series actuators are Inch Unified and NPT.

1.7.2 All tools/Hexagons are American Standard inch. Two adjustable wrenches, Allen wrench set, small standard screwdriver with sharp edges rounded off, medium size standard screwdriver, diagonal cutting pliers, external snap ring pliers, flat file, drive ratchet / deepwell socket set and torque wrench (up to 2,000 inch pounds / 226 N-m).

**1.8 ACTUATOR WEIGHT**

ACTUATOR MODEL	APPROXIMATE WEIGHT (1)	
	LB	KG
CBA315	20	9.1
CBA315-M3	23.2	10.5
CBA315-M3HW	25	11.3
CBA420	22	10.0
CBA420-M3	29.4	13.4
CBA420-M3HW	33	15.0
CBA520	28	12.7
CBA520-M3	34.4	15.7

ACTUATOR MODEL	APPROXIMATE WEIGHT (1)	
	LB	KG
CBA520-M3HW	38	17.2
CBA525	44	20.0
CBA525-M3	50	22.7
CBA525-M3HW	56	25.4
CBA725	68	31.0
CBA725-M3	75	34.0
CBA725-M3HW	81	37.0

NOTES: (1) Weight is for bare actuator without accessories or valve adaptation.

## **SECTION 2 - ACTUATOR DISASSEMBLY**

### **2.1 GENERAL DISASSEMBLY**

**WARNING:** It is possible, that the actuator may contain a dangerous gas and/or liquids. Ensure that all proper measures have been taken to prevent exposure or release of these types of contaminants before commencing any work.

**CAUTION:** Pressure applied to the actuator is not to exceed the maximum operating pressure rating listed on the actuator name tag.

**NOTE:** Before starting the general disassembly of the actuator it is a good practice to operate actuator with the pressure used by the customer to operate the actuator during normal operation. Note and record any abnormal symptoms such as jerky or erratic operation.

2.1.1 Remove all operating pressure from actuator.

2.1.2 Record the settings of stop screw or M3 jackscrews (1-70) and (4-30) before stop screws are loosened or removed.

**NOTE:** In place of stop screws the actuator may be equipped with one or two ES (ES = Extended Stops) or M3/M3HW (1-70) located on outboard end of housing (1-10) and end cap (4-20).

### **2.2 PNEUMATIC CYLINDER DISASSEMBLY**

**NOTE:** Review Section 2 steps 2.1.1 through 2.1.2 before proceeding with cylinder disassembly.

2.2.1 Remove hex nut (4-40) as follows: CBA315 through CBA725 standard end cap stop screw or extended stop (ES) use step 2.2.1.1. CBA315 through CBA725 with -M3 or -M3HW use step 2.2.1.2.

#### **2.2.1.1 CBA315 through CBA725 end cap stop screw or extended stop screw (ES)**

2.2.1.1.1 Loosen and remove hex nut (4-40) and washer (4-90) from stop screw (4-30) located in end cap (4-20).

2.2.1.1.2 Remove stop screw (4-30) from the end cap (4-20).

#### **2.2.1.2 CBA315/CBA420/CBA520/CBA525/CBA725-M3 or M3HW**

2.2.1.2.1 Remove retainer ring (12-30) and groove pin (12-20) from optional hex drive hub or from handwheel (12-10).

2.2.1.2.2 Remove optional hex drive hub or handwheel (12-10) from M3 jackscrew (1-70).

2.2.1.2.3 Loosen and remove hex nut (4-40) from M3 jackscrew (1-70).

NOTE: CBA315/CBA420/CBA520/CBA525/CBA725-M3 or M3HW models the M3 jackscrew (1-70) can not be removed now. The M3 used in these models can be removed later in this procedure using step 2.2.8.

NOTE: ES (4-30), stop screw (4-30) or CBA315-M3 (1-70) does not require removal from end cap (4-20) unless replacing with a new ES, stop screw or M3.

2.2.2 Remove housing side hex nut (8-20) from center bar (8-10).

2.2.3 Remove outer end cap (4-20) with center bar (8-10) from outboard end of cylinder (4-10).

2.2.4 While holding housing torque shaft (1-30), pull cylinder (4-10) away from housing (1-10).

2.2.5 Slide cylinder (4-10) over piston (5-40) and remove.

2.2.6 Remove piston (4-50) from housing (1-10).

NOTE: Piston (4-50) is an assembly made up of one roll pin and one yoke pin; do not attempt to disassemble the piston assembly.

2.2.7 On actuator models CBA520 and CBA725 remove cylinder adapter (4-15) from flange of housing (1-10).

2.2.8 M3 JACKSCREW REMOVAL FROM END CAP (4-20).

2.2.8.1 CBA315 with a M3 remove M3 jackscrew (1-70) from the backside of end cap (4-20).

2.2.8.2 CBA420/520/525/725 with a M3 jackscrew remove per following steps.

2.2.8.2.1 Remove retainer ring (5-60) from M3 adapter (4-55).

2.2.8.2.2 Remove M3 adapter (4-55) from end cap (4-20). NOTE: The M3 adapter will be removed from backside of end cap (4-20) with the M3 jackscrew.

NOTE: ES (4-30), stop screw (4-30) or CBA315-M3 jackscrew (1-70) does not require removal from end cap (4-20) unless replacing with a new ES, stop screw or M3.

## 2.3 HOUSING DISASSEMBLY

NOTE: Review Section 2 steps 2.1.1 through 2.1.2 before proceeding with housing disassembly.

2.3.1 Remove hex nut (1-80) as follows: CBA315 through CBA725 standard housing stop screw or extended stop (ES) use step 2.3.1.1. CBA315-M3/M3HW through CBA725-M3/M3HW use step 2.3.1.2.

2.3.1.1 CBA315 through CBA725 housing stop screw or extended stop screw (ES)

2.3.1.1.1 Loosen and remove hex nut (1-80) and washer (1-90) from stop screw (1-70) located in housing (1-10).

2.3.1.1.2 Remove stop screw (1-70) from the end of housing (1-10).

2.3.1.2 CBA315/CBA420/CBA520/CBA525/CBA725-M3 or M3HW

2.3.1.2.1 Remove retainer ring (12-30) and groove pin (12-20) from optional hex drive hub or from handwheel (12-10).

2.3.1.2.2 Remove optional hex drive hub or handwheel (12-10) from M3 jackscrew (1-70).

2.3.1.2.3 Loosen and remove hex nut (1-80) from M3 jackscrew (1-70).

NOTE: CB315/CBA420/CBA520/CBA525/CBA725-M3 or M3HW models the M3 can not be removed now. The M3 used in these models can be removed later in this procedure using steps 2.3.7 or 2.3.8.

NOTE: ES (1-70), stop screw (1-70) or CBA315-M3 (1-70) does not require removal from the housing (1-10) unless replacing with a new ES, stop screw or M3.

2.3.2 Remove both retaining rings (1-60) from torque shaft (1-30).

2.3.3 The following steps may be required before disassembly can continue.

2.3.3.1 If torque shaft (1-30) has any raised burrs or sharp edges they should be removed.

NOTE: When removing burrs and sharp edges, remove as little metal as possible.

2.3.3.2 If there is excessive paint build-up on torque shaft (1-30) it should be removed.

2.3.4 Remove the torque shaft (1-30) by pushing it out one side of housing (1-10).

2.3.5 Remove yoke key (1-40) and yoke key spring (1-50) from torque shaft (1-30).

2.3.6 Remove yoke (1-20) from housing (1-10).

2.3.7 Actuator models CBA315 with a M3 or M3HW mounted in the outboard end of housing (1-10) remove M3 jackscrew (1-70) from housing (1-10). NOTE: The M3 jackscrew (1-70) will be removed from the inside of housing (1-10).



2.3.8 Actuator models CBA420/520/525/725 with a M3 or M3HW mounted in the outboard end of housing (1-10) complete steps 2.3.8.1 and 2.3.8.2.

2.3.8.1 Remove retainer ring (2-40) from M3 adapter (1-90).

2.3.8.2 Remove M3 adapter (1-90) from housing (1-10). NOTE: The M3 adapter will be removed from the inside of housing (1-10) with the M3 jackscrew (1-70).

## **SECTION 3 - ACTUATOR REASSEMBLY**

### **3.1 GENERAL REASSEMBLY**

**CAUTION:** Only new seals, that are still within the seals expectant shelf life, should be install into actuator being refurbished.

3.1.1 Remove and discard all old seals and gaskets.

3.1.2 All parts should be cleaned to remove all dirt and other foreign material prior to inspection.

3.1.3 All parts should be thoroughly inspected for excessive wear, stress cracking, galling and pitting. Attention should be directed to threads, sealing surfaces and areas that will be subjected to sliding or rotating motion. Sealing surfaces of the cylinder, torque shaft and center bar must be free of deep scratches, pitting, corrosion and blistering or flaking coating.

**CAUTION:** Actuator parts that reflect any of the above listed characteristics may need replacement with new parts.

3.1.4 INSTALLATION LUBRICATION INSTRUCTIONS: Use the correct lubrication as defined in Section 1 step 1.6.

3.1.4.1 Before installation coat all moving parts with lubricant.

3.1.4.2 Coat all seals with lubricant, before installing into seal grooves.

3.1.5 REASSEMBLE THE ACTUATOR MODELS PER THE FOLLOWING LISTING:

3.1.5.1 Reassemble the following models per steps 3.2: CBA315, CBA420, CBA520, CBA525 and CBA725.

3.1.5.2 Reassemble the following models per steps 3.3: CBA315-M3, CBA315-M3HW, CBA420-M3, CBA520-M3, CBA525-M3 and CBA725-M3 (also included M3 jackscrew with hand wheels i.e. M3HW).

### 3.2 ACTUATOR REASSEMBLY PER CBA MODELS LISTED IN STEP 3.1.5.1

NOTE: Review Section 3 steps 3.1.1 through 3.1.5 before proceeding with actuator reassembly.

NOTE: The following steps used to reassemble the following models: CBA315, CBA420, CBA520, CBA525 and CBA725. Use assembly drawing part numbers 129738 for this section.

NOTE: In section 3.2 where the step indicates to "lubricate, coat or apply lubricant", use lubricant as identified in Section 1 step 1.6 for lubricating the part being installed.

3.2.1 Apply a coating of lubricant to the torque shaft holes located on each side of housing (1-10).

3.2.2 Coat torque shaft wiper seals (2-20) with lubricant and install in one of the grooves located in the torque shaft bore of the housing (1-10). NOTE: The cup of torque shaft wiper seal will be installed facing down into the housing.

3.2.3 Coat yoke (1-20) with lubricant and install into housing (1-10). Apply a generous amount of lubricant to the slots in the arms of yoke (1-20).

3.2.4 Insert the yoke key spring (1-50), with the ends pointing down, into the slot in the torque shaft (1-30) and place the yoke key (1-40) on top of the spring with the tapered side outward.

**WARNING: If the yoke key (1-40) is installed incorrectly the housing may be damaged when next disassembly occurs. Refer to assembly drawing for correct yoke key spring and yoke key orientation.**

3.2.5 Hold the yoke key (1-40) down with your thumb; insert the torque shaft (1-30) by gently rotating it into the housing (1-10) and yoke (1-20) on the opposite side of the installed torque shaft wiper seal (2-20) (NOTE: Torque Shaft should be installed with key rotated 180 degrees opposite yoke key slot). When the torque shaft (1-30) is flush with the housing (1-10) push the torque shaft (1-30) through until the empty seal groove is exposed. Install the other torque shaft wiper seal (2-20) into the groove NOTE: The cup of the torque shaft wiper seal again needs to be installed facing inward into the housing.

NOTE: Two new retaining rings (1-60) are contained in the Bettis CBA Service Kits.

3.2.6 Install one of the new retaining rings (1-60) onto the exposed end of the torque shaft, making certain it is properly seated in the groove of the torque shaft (1-30). Gently push and rotate the torque shaft (1-30) until the retaining ring (1-60) is pressed against the housing (1-10). Install the other retaining ring (1-60) to the other side of the torque shaft (1-30).

**CAUTION: Rotate the torque shaft until the yoke key snaps into the yoke keyway.**

3.2.7 Rotate the torque shaft (1-30) so that the arms of yoke (1-20) point out the open end of housing (1-10).

3.2.8 Coat o-ring seal (5-20) with lubricant and install into inner diameter seal groove located in the center bar hole of housing (1-10).

3.2.9 Coat entire length of center bar (8-10) with lubricant including the threads.

3.2.10 Install hex nut (8-20) onto one end of center bar (8-10).

- 3.2.11 Insert center bar (8-10) into the center hole of housing (1-10). Slide center bar through housing until the hex nut (8-20) is flush against housing (1-10).
- 3.2.12 Coat one o-ring seal (5-10) with lubricant and install onto outer diameter flange located on housing adapter end of housing (1-10).
- 3.2.13 Actuators equipped with cylinder adapter (4-15), models CBA520 and CBA725, do steps 3.2.13.1 and 3.2.13.2.
- 3.2.13.1 Install cylinder adapter (4-15) onto the flange of housing (1-10) and over o-ring seal (5-10), with the stepped outer diameter, of cylinder adapter (4-15), facing away from housing (1-10).
- 3.2.13.2 Install one o-seal (5-15) onto stepped diameter of cylinder adapter (4-15).
- 3.2.14 Coat the following areas of piston (4-50) with lubricant: The outer diameter seal groove, inner diameter seal groove, head of piston and exposed ends of yoke pin.
- 3.2.15 Coat o-ring seal (5-20) with lubricant and install in the internal seal groove in the head of piston (4-50).
- 3.2.16 Coat seal (5-40) with lubricant and install into outer diameter seal groove of piston (4-50). The piston seal will fit very loosely in the outer diameter seal groove.
- 3.2.17 Install bushing (1-100) between the two arms of yoke (1-20).
- 3.2.18 With the piston head facing away from housing (1-10) and with yoke pin up, install piston (4-50) onto center bar (8-10).
- 3.2.19 Carefully slide piston (4-50) along center bar (8-10) until yoke pin engages the two slots in the arms of yoke (1-20).
- NOTE: While holding the center bar flush against the housing, push piston (4-50) into housing (1-10) as far as the piston will go. Check to see that bushing (1-100) is positioned between the yoke (1-20) and the stem of piston (4-50).
- 3.2.20 Apply a coating of lubricant to entire bore of cylinder (4-10).
- 3.2.21 Pneumatic cylinder installation:
- 3.2.21.1 For CBA520 and CBA725 models install the lubricated cylinder (4-10) over the piston and up-against the o-ring seal (5-15) on the stepped diameter flange of cylinder adapter (4-15).
- 3.2.21.2 For CBA315, CBA420 and CBA525 models install the lubricated cylinder (4-10) over the piston and up-against the o-ring seal (5-10) on the flange of housing (1-10).

## 3.2.22 End cap seal installation.

3.2.22.1 Coat o-ring seal (5-20) with lubricant and install in the internal seal groove of end cap (4-20).

3.2.22.2 For CBA520 and CBA725 models install o-ring seal (5-15) onto outer diameter of end cap (4-20).

3.2.22.3 For CBA315, CBA420 and CBA525 models install o-ring seal (5-10) onto outer diameter of end cap (4-20).

## 3.2.23 Install end cap (4-20) onto center bar (8-10) and into cylinder (4-10).

NOTE: Position the end cap (4-20) so that the inlet port is at the bottom and the ES or stop screw (4-30) is at the top.

**WARNING: If step 3.3.24 is not completed as described the center bar o-ring seals (5-20) may become a source of pressure leakage and cause the actuator to fail.**

3.2.24 Install the second hex nut (8-20) onto the cylinder end of center bar (8-10). Adjust the two hex nuts (8-20) such that the approximate same number of threads is exposed on the ends of the center bar (8-10).

**WARNING: Do not allow end cap (4-20) to rotate during center bar tightening. The end cap must maintain the position as described in step 3.2.23.**

## 3.2.25 Tighten center bar (8-10) to the proper torque as specified in the following chart.

ACTUATOR MODEL	MAXIMUM TORQUE	
	FT. LBS.	N-m
CBA315	55	75
CBA420 AND CBA520	100	136
CBA525 AND CBA725	130	176

3.2.26 If removed install ES or stop screw (4-30) into end cap (4-20).

3.2.27 Install o-ring seal (5-30) onto the ES or stop screw (4-30). Install the o-ring seal against the end cap (4-20).

3.2.28 Install new washer (4-90) onto the ES or stop screw (4-30). Install the washer against the end cap (4-20).

3.2.29 Install hex nut (4-40) onto stop screw (4-30) NOTE: Leave hex nut hand tight.

3.2.30 If removed install ES or stop screw (1-70) into housing (1-10).

3.2.31 Install o-ring seal (2-30) and washer (1-90) onto the ES or stop screw (1-70). Install o-ring seal against the housing (1-10).

3.2.32 Install hex nut (1-80) onto ES or stop screw (1-70). Leave hex nut hand tight.

- 3.2.33 Adjust both stop screws or ES (1-70) and (4-30) back to setting recorded in Section 2 step 2.1.2 under General Disassembly. Tighten both hex nuts (4-40) and (1-80) securely, while holding the ES or stop screws in place/position,

### **3.3 ACTUATOR REASSEMBLY PER CBA MODELS LISTED IN STEP 3.1.5.2**

NOTE: The following steps are used to reassemble the following models: CBA315-M3, CBA420-M3, CBA520-M3, CBA525-M3 and CBA725-M3 (also included M3 jackscrew with hand wheels i.e. M3HW). Use assembly drawing part number 129740 for this section.

NOTE: In section 3.3 where the step indicates to "lubricate, coat or apply lubricant", use lubricant as identified in Section 1 step 1.6 for lubricating the part being installed.

#### **3.3.1 M3 JACKSCREW (1-70) HOUSING INSTALLATION FOR CBA315-M3 AND CBA315-M3HW MODEL ACTUATORS.**

3.3.1.1 Apply a light coating of lubricant to the threads of M3 jackscrew (1-70).

NOTE: M3 jackscrew (1-70) will be installed from the inside of housing (1-10).

3.3.1.2 Insert and rotate M3 jackscrew (1-70) into housing (1-10). NOTE: Rotate the M3 jackscrew into the housing until the inboard end of the M3 jackscrew is up against the inside of housing (1-10).

3.3.1.3 Install o-ring seal (2-30) onto M3 jackscrew (1-70). NOTE: Move the o-ring seal (2-30) down the M3 jackscrew until it is next to the housing (1-10).

3.3.1.4 Install hex nut (1-80) onto M3 jackscrew (1-70). NOTE: Rotate the hex nut down the M3 jackscrew until it is next to the housing (1-10)

3.3.1.5 Continue reassembly at step 3.3.3.

#### **3.3.2 M3 JACKSCREW HOUSING INSTALLATION FOR CBA420-M3 THRU CBA725-M3 MODEL ACTUATORS (includes –M3HW models).**

3.3.2.1 Apply a coating of lubricant to outer diameter and inner diameter threads of M3 adapter (1-90).

3.3.2.2 Coat o-ring seal (2-45) with lubricant and install into outer diameter seal groove located in the M3 adapter (1-90).

3.3.2.3 Apply a light coating of lubricant to the threads of M3 jackscrew (1-70).

3.3.2.4 Insert and rotate M3 jackscrew (1-70) into M3 adapter (1-90). NOTE: Rotate the M3 jackscrew into the adapter until the inboard end of the jackscrew is up against the adapter.

NOTE: M3 adapter (1-90) will be installed from the inside of housing (1-10).

- 3.3.2.5 Install M3 adapter (1-90) into housing (1-10).
- 3.3.2.6 Install retainer ring (2-40) into outboard groove located on the outer diameter of M3 adapter (1-90).
- 3.3.2.7 Install o-ring seal (2-30) onto M3 jackscrew (1-70). NOTE: Move the o-ring seal (2-30) down the M3 jackscrew until it is next to the M3 adapter.
- 3.3.2.8 Install hex nut (1-80) onto M3 jackscrew (1-70). NOTE: Rotate the hex nut down the M3 jackscrew until it is next to the M3 adapter.
- 3.3.3 Apply a coating of lubricant to the torque shaft holes located on each side of housing (1-10).
- 3.3.4 Coat rod wiper seals (2-20) with lubricant and install in the grooves located in the torque shaft through holes located on each side of housing (1-10). NOTE: The cup of rod wiper seal will be installed facing down into the housing.
- 3.3.5 Coat yoke (1-20) with lubricant and install into housing (1-10). Apply a generous amount of lubricant to the slots in the arms of yoke (1-20).
- 3.3.6 Insert the yoke key spring (1-50), with the ends pointing down, into the slot in the torque shaft (1-30) and place the yoke key (1-40) on top of the spring with the tapered side outward.

**WARNING:** If the yoke key (1-40) is installed incorrectly the housing may be damaged when next disassembly occurs. Refer to assembly drawing for correct yoke key spring and yoke key orientation.

- 3.3.7 Hold the yoke key (1-40) down with your thumb, insert the torque shaft (1-30) into and through housing (1-10) and yoke (1-20).

**CAUTION:** Rotate the torque shaft until the yoke key snaps into the yoke keyway.

NOTE: Two new retaining rings (1-60) are contained in the Bettis CBA Service Kits.

- 3.3.8 Install one of the new retaining rings (1-60) into each end of the torque shaft, making certain it is properly seated in the groove of torque shaft (1-30).
- 3.3.9 Rotate the torque shaft (1-30) so that the arms of yoke (1-20) point out the open end of housing (1-10).
- 3.3.10 Coat o-ring seal (5-20) with lubricant and install in the internal seal groove of the center bar "hole" located in housing (1-10).
- 3.3.11 Coat the following areas of piston (4-50) with lubricant: The outer diameter seal groove, inner diameter seal groove, head of piston and exposed ends of yoke pin.
- 3.3.12 Coat o-ring seal (5-20) with lubricant and install in the internal seal groove in the head of piston (4-50).

- 3.3.13 Coat seal (5-40) with lubricant and install into outer diameter seal groove of piston (4-50). The piston seal will fit very loosely in the outer diameter seal groove.
- 3.3.14 Coat entire length of center bar (8-10) with lubricant including the threads.
- 3.3.15 Install piston (4-50) onto center bar (8-10).
- 3.3.16 Install bushing (1-100) between the two arms of yoke (1-20).
- 3.3.17 With the piston head facing away from housing (1-10) and with yoke pin up, install center bar (8-10) in the open end of housing (1-10) and push the center bar through the center bar "hole" of housing (1-10).
- 3.3.18 Install hex nut (8-20) onto one end of center bar (8-10) that is protruding through the center bar "hole" of housing (1-10).
- 3.3.19 Carefully slide piston (4-50) along center bar (8-10) until yoke pin engages the two slots in the arms of yoke (1-20).
- NOTE: While holding the center bar flush against the housing, push piston (4-50) into housing (1-10) as far as the piston will go. Check to see that bushing (1-100) is positioned between the yoke (1-20) and the stem of piston (4-50).
- 3.3.20 Coat one o-ring seal (5-10) with lubricant and install onto outer diameter flange located on housing adapter end of housing (1-10).
- 3.3.21 Actuators equipped with cylinder adapter (4-15), models CBA520 and CBA725, do steps 3.3.21.1 and 3.3.21.2.
- 3.3.21.1 Install cylinder adapter (4-15) onto the flange of housing (1-10) and over o-ring seal (5-10), with the stepped outer diameter, of cylinder adapter (4-15), facing away from housing (1-10).
- 3.3.21.2 Install one o-seal (5-15) onto stepped diameter of cylinder adapter (4-15).
- 3.3.22 Apply a coating of lubricant to entire bore of cylinder (4-10).
- 3.3.23 Pneumatic cylinder installation:
- 3.3.23.1 For CBA520 and CBA725 models install the lubricated cylinder (4-10) over the piston and up-against the o-ring seal on the stepped diameter flange of cylinder adapter (4-15).
- 3.3.23.2 For CBA315, CBA420 and CBA525 models install the lubricated cylinder (4-10) over the piston and up-against the o-ring seal on the flange of housing (1-10).
- 3.3.24 Coat o-ring seal (5-20) with lubricant and install into internal diameter seal groove of the end cap (4-20).



### 3.3.25 M3 JACKSCREW (1-70) END CAP INSTALLATION FOR CBA315-M3 MODEL ACTUATORS (includes –M3HW models).

3.3.25.1 Apply a light coating of lubricant to the threads of M3 jackscrew (1-70).

NOTE: The M3 jackscrew will be installed from the cylinder side of end cap (4-20).

3.3.25.2 Install and rotate M3 jackscrew (1-70) into end cap (4-20). NOTE: Rotate the M3 jackscrew into the end cap (4-20) until the inboard end of the M3 jackscrew is up against the end cap (4-20).

3.3.25.3 Install o-ring seal (2-30) onto M3 jackscrew (1-70). NOTE: Move the o-ring seal (2-30) down the M3 jackscrew until it is next to the end cap (4-20).

3.3.25.4 Install hex nut (1-80) onto M3 jackscrew (1-70). NOTE: Rotate the hex nut down the M3 jackscrew until it is next to the end cap (4-20)

3.3.25.5 Continue reassembly at step 3.3.27.

### 3.3.26 M3 JACKSCREW END CAP (4-20) INSTALLATION FOR CBA420-M3 THRU CBA725-M3 MODEL ACTUATORS (includes –M3HW models).

3.3.26.1 Apply a coating of lubricant to outer diameter and inner diameter threads of M3 adapter (4-55).

3.3.26.2 Coat o-ring seal (5-45) with lubricant and install into outer diameter seal groove located in the M3 adapter (4-55).

3.3.26.3 Apply a light coating of lubricant to the threads of M3 jackscrew (1-70).

3.3.26.4 Install and rotate M3 jackscrew (1-70) into M3 adapter (4-55). NOTE: Rotate the M3 jackscrew into the M3 adapter (4-55) until the inboard end of the M3 jackscrew is up against the M3 adapter (4-55).

NOTE: The M3 adapter will be installed from the cylinder side of end cap (4-20).

3.3.26.5 Install M3 adapter (4-55) into end cap (4-20).

3.3.26.6 Install retainer ring (5-60) into outboard groove located on outer diameter of M3 adapter (4-55).

3.3.26.7 Install o-ring seal (5-30) onto M3 jackscrew (1-70). NOTE: Move the o-ring seal (5-30) down the M3 jackscrew until it is next to the M3 adapter (4-55).

3.3.26.8 Install hex nut (4-40) onto M3 jackscrew (1-70). NOTE: Rotate the hex nut down the M3 jackscrew until it is next to the M3 adapter (4-55).

### 3.3.27 End cap outer diameter seal installation.

3.3.27.1 For CBA520 and CBA725 models install o-ring seal (5-15) onto the outer diameter of end cap (4-20).

3.3.27.2 For CBA315, CBA420 and CBA525 models install o-ring seal (5-10) onto the outer diameter of end cap (4-20).

NOTE: Position the end cap (4-20) so that the inlet port is at the bottom and the M3 jackscrew (1-70) is at the top of the actuator.

### 3.3.28 Install end cap (4-20) onto center bar (8-10) and into cylinder (4-10).

**WARNING:** If step 3.3.29 is not completed as described the center bar o-ring seals (5-20) may become a source of pressure leakage and cause the actuator to fail.

3.3.29 Install the second hex nut (8-20) onto the cylinder end of center bar (8-10). Adjust the two hex nuts (8-20) such that the approximate same number of threads is exposed on the ends of the center bar (8-10).

**WARNING:** Do not allow end cap (4-20) to rotate during center bar tightening. The end cap must maintain the position as described in step 3.3.27. M3 jackscrew must be installed to be in alignment with the target located on the piston assembly (4-50).

3.3.30 Tighten center bar hex nuts (8-20) to the proper torque as specified in the following chart.

ACTUATOR MODEL	MAXIMUM TORQUE	
	FT. LBS.	N-m
CBA315	55	75
CBA420 AND CBA520	100	136
CBA525 AND CBA725	130	176

3.3.31 Adjust both M3 jackscrews (1-70) back to setting recorded in Section 2 step 2.1.2 under General Disassembly. Tighten both M3 jackscrew hex nuts (4-40) and (1-80) securely, while holding M3 jackscrews (1-70).

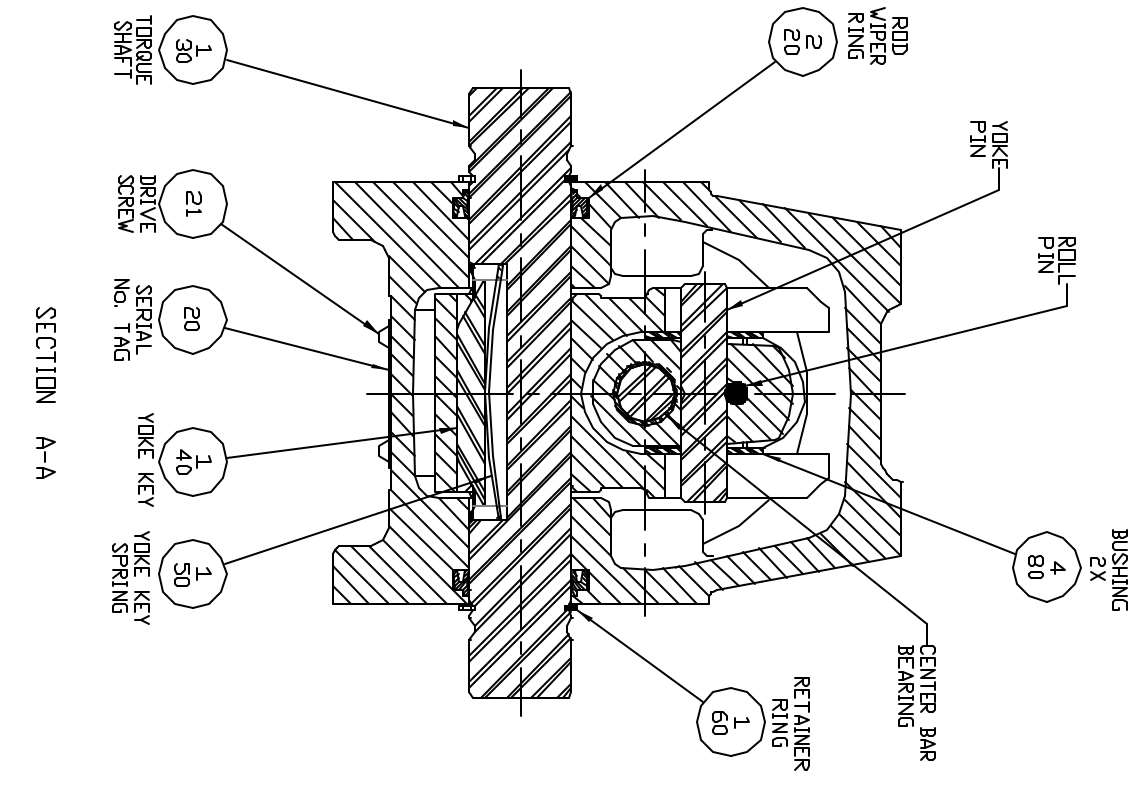
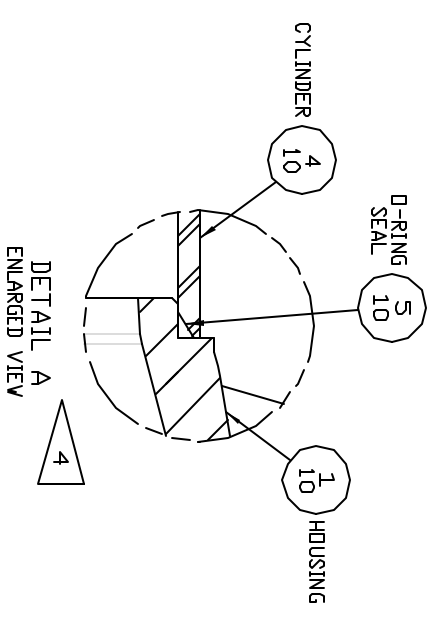
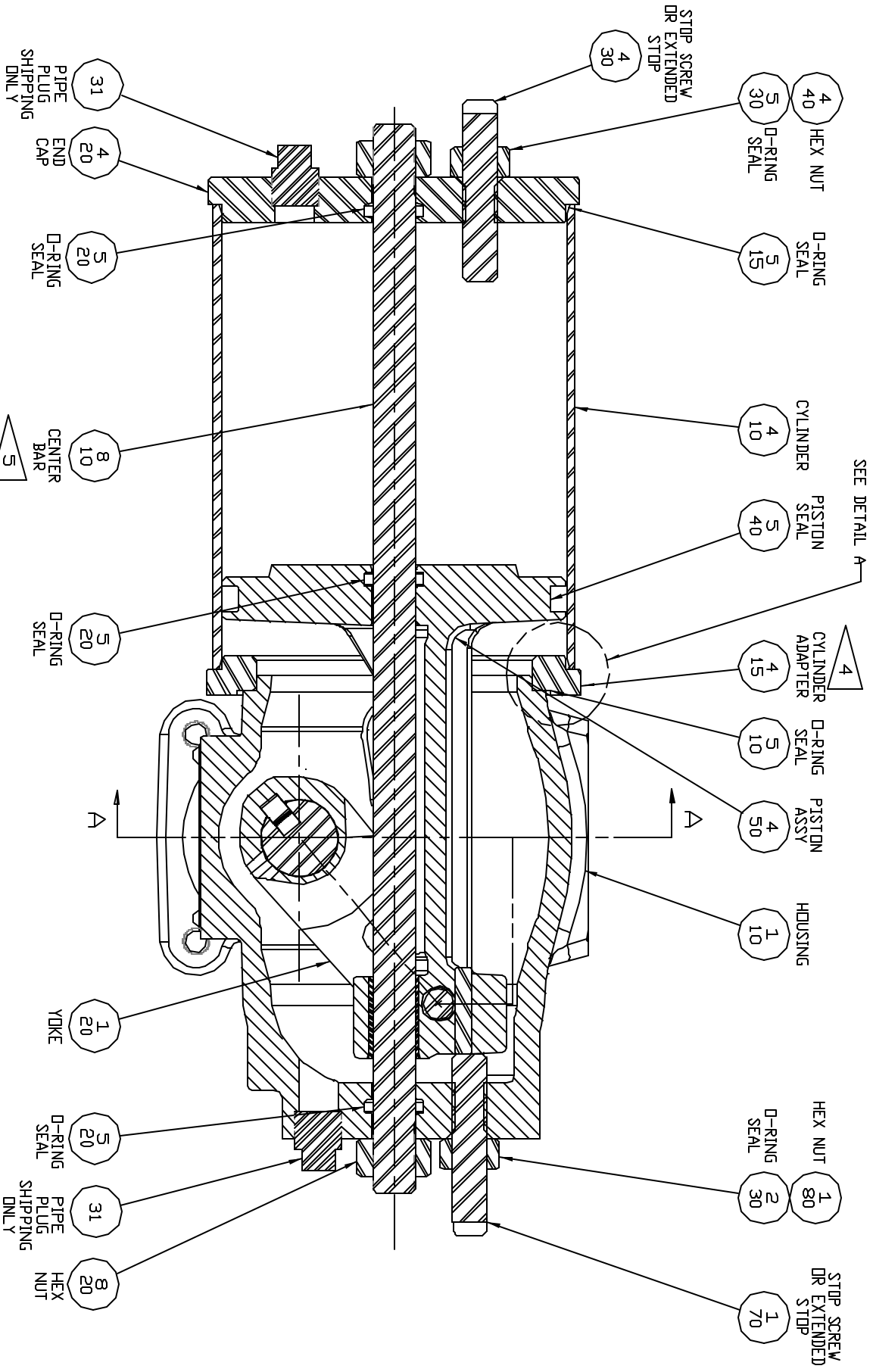
3.3.32 M3 hex drive hub or handwheel installation as follows:

3.3.32.1 Install hex drive hub (12-10) or handwheel (12-10) onto M3 jackscrew (1-70) and align the "hole" of the drive hub with the "hole" located in the outboard end of M3 jackscrew (1-70).

3.3.32.2 Install retainer ring (12-30) and groove pin (12-20) into the hex drive hub (12-10) or handwheel (12-10).

REVISIONS		
LTR	EN	DATE
D	17972	08/08/02

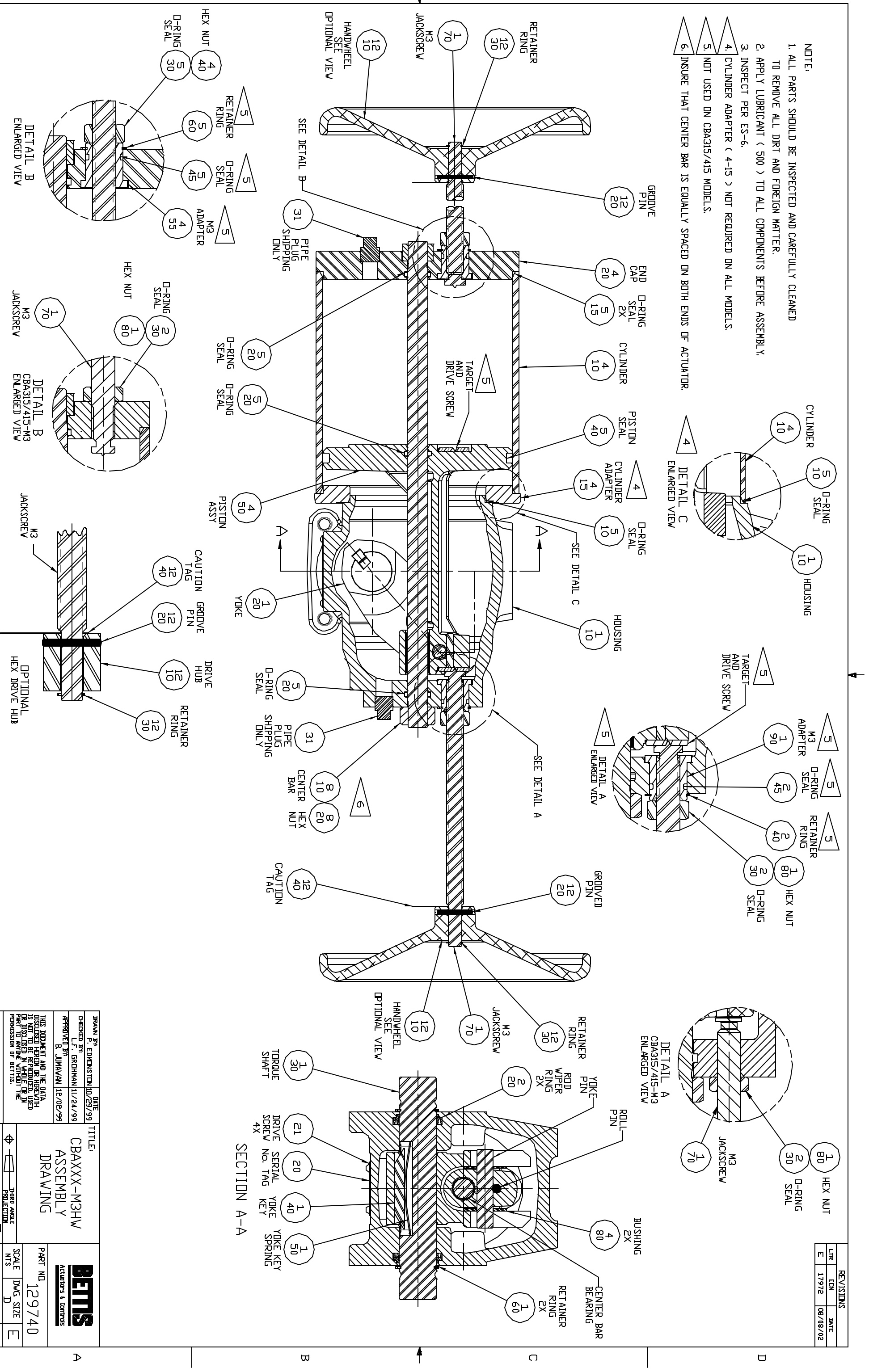
- NOTE:
1. ALL PARTS SHOULD BE INSPECTED AND CAREFULLY CLEANED TO REMOVE ALL DIRT AND FOREIGN MATTER.
  2. APPLY LUBRICANT ( 500 ) TO ALL COMPONENTS BEFORE ASSEMBLY.
  3. INSPECT PER ES-6.
  4. CYLINDER ADAPTER ( 4-15 ) NOT REQUIRED ON ALL MODELS.
  5. INSURE THAT CENTER BAR IS EQUALLY SPACED ON BOTH ENDS OF ACTUATOR.



DRAWN BY: R. EMMERTON CHECKED BY: L.F. GORDMAN APPROVED BY: B. JIMAVAN DATE: 07/14/99 DATE: 11/02/99 DATE: 11/02/99		TITLE: <b>CBAXXX</b> ASSEMBLY DWG		PART NO: <b>129738</b>	
THIS DOCUMENT AND THE DATA DISCLOSED HEREIN OR HEREWITH IS UNCLASSIFIED UNLESS INDICATED OTHERWISE. NO PART TO AVIATION WITHOUT THE PERMISSION OF BETTIS.		SALES ORDER		SCALE: DWG SIZE: D SHEET 1 OF 1	
CAD GENERATED DRAWING		3-D ISO ANGLE PROJECTION		REV.	

REVISIONS		
LTR	EN	DATE
E	17972	08/08/02

- NOTE:
1. ALL PARTS SHOULD BE INSPECTED AND CAREFULLY CLEANED TO REMOVE ALL DIRT AND FOREIGN MATTER.
  2. APPLY LUBRICANT ( 500 ) TO ALL COMPONENTS BEFORE ASSEMBLY.
  3. INSPECT PER ES-6.
  4. CYLINDER ADAPTER ( 4-15 ) NOT REQUIRED ON ALL MODELS.
  5. NOT USED ON CBXA315/415 MODELS.
  6. INSURE THAT CENTER BAR IS EQUALLY SPACED ON BOTH ENDS OF ACTUATOR.



DRAWN BY: EDMONSTON/JD/29/99		DATE: 11/24/99	
CHECKED BY: GRODHNAN/JV/24/99		APPROVED BY: B. JINAVANI 12/02/99	
THIS DOCUMENT AND THE DATA DISCLOSED HEREIN ARE HEREBY RELEASED TO THE PUBLIC IN FULL PERMISSION OF BETTIS.			
SALES ORDER		CAD GENERATED DRAWING	
TITLE: CBAXXX-M3HW ASSEMBLY DRAWING		PART NO. 129740	
SCALE: DWG. SIZE: E		SHEET 1 OF 1	
REV.:		REV.:	

8 7 6 5 4 3 2 1

## **SECTION 4 - ACTUATOR TESTING**

### **4.1 ACTUATOR TESTING**

4.1.1 **Leak Test - General** - A small amount of leakage may be tolerated. Generally, a small bubble which breaks about three seconds after starting to form is considered acceptable.

4.1.2 All areas, where leakage to atmosphere may occur, are to be checked using a commercial leak testing solution.

**WARNING: Pressure is not to exceed the maximum operating pressure rating listed on the serial number tag (20).**

4.1.3 All leak testing will use the customer normal operating pressure or the actuator name tag normal operating pressure (NOP). NOTE: When testing the actuator use a proper adjusted regulator to apply pressure to the actuator.

4.1.4 Before testing for leaks, apply and release the pressure listed in step 4.1.3 to both sides of the piston. Repeat this cycle approximately five times. This will allow the new seals to seek their service condition.

4.1.5 Apply the pressure listed in step 4.1.3 to the housing side of the piston and allow the actuator to stabilize.

4.1.6 Apply a leak testing solution to the following areas:

4.1.6.1 Cylinder to housing joint on CBA315, CBA420, and CBA525 or cylinder to cylinder adapter to housing joints on CBA520, and CBA725 actuators.

4.1.6.2 On the outboard end of housing (1-10) at the center bar hex nut. Checks the center bar to housing o-ring seal (5-20).

4.1.6.3 Housing stop screw / ES / M3 jackscrew o-ring seal (2-30).

4.1.6.4 Torque shaft (1-30) to housing (1-10) interface. Checks rod wiper seals (2-20).

4.1.6.5 End cap (4-20) port "hole". Checks the piston to cylinder seal (5-40) and piston to center bar seal (5-20).

4.1.6.6 Remove pressure from pressure inlet port in the housing (1-10).

4.1.7 Apply the pressure listed in step 4.1.3 to the end cap inlet port and allow the actuator to stabilize.

- 4.1.8 Apply a leak testing solution to the following areas:
- 4.1.8.1 Cylinder to end cap joint. Checks o-ring seal (5-10) on CBA315, CBA420, and CBA525 or checks o-ring seal (5-15) on CBA520, and CBA725 actuators.
  - 4.1.8.2 Housing (4-10) inlet port hole. Checks the piston to cylinder seal (5-40) and piston to center bar seal (5-20).
  - 4.1.8.3 End cap stop screw or M3 jackscrew o-ring seal.
  - 4.1.8.4 Remove pressure from pressure inlet port in the end cap (4-20).
- 4.1.9 If an actuator was disassembled and repaired as a result of this procedure, the above leakage test must be performed again.
- 4.1.10 After the actuator is installed back on the valve all accessories should be hooked up and tested for proper operation and replaced, if found defective.

ECN	DATE	REV		BY *	DATE
18743	Aug 2005	B	COMPILED	L.Ramirez	18 April 2007
19527	April 2007	C	CHECKED	C. Ross	18 April 2007
			APPROVED	D. McGee	18 April 2007

\* Signatures on file Bettis Actuator & Controls, Waller, Texas