

BETTIS

SERVICE INSTRUCTIONS

DISASSEMBLY AND REASSEMBLY

FOR CBA-SR SPRING RETURN

SERIES PNEUMATIC ACTUATORS

PART NUMBER: 137465E

REVISION: "C"

RELEASE DATE: 18 April 2007

CONTENTS

	Page
<u>SECTION 1 - INTRODUCTION</u>	2
1.1 GENERAL SERVICE INFORMATION	2
1.2 DEFINITIONS.....	3
1.3 GENERAL SAFETY INFORMATION	3
1.4 BETTIS REFERENCE MATERIALS	3
1.5 SERVICE SUPPORT ITEMS.....	3
1.6 LUBRICATION REQUIREMENTS	4
1.7 GENERAL TOOL INFORMATION	4
1.8 ACTUATOR WEIGHT.....	4
<u>SECTION 2 - ACTUATOR DISASSEMBLY</u>	5
2.1 GENERAL DISASSEMBLY	5
2.2 SPRING CYLINDER DISASSEMBLY	5
2.3 HOUSING DISASSEMBLY.....	7
<u>SECTION 3 - ACTUATOR REASSEMBLY</u>	8
3.1 GENERAL REASSEMBLY	8
3.2 HOUSING REASSEMBLY.....	8
3.3 SPRING CYLINDER REASSEMBLY	10
<u>SECTION 4 - ACTUATOR TESTING</u>	14
4.1 ACTUATOR TESTING.....	14
4.2 RETURN TO SERVICE	15
4.3 PRESSURE REQUIREMENT & LIMITATIONS FOR CBA-SR ACTUATORS.....	15

SECTION 1 - INTRODUCTION

1.1 GENERAL SERVICE INFORMATION

1.1.1 This service procedure is offered as a guide to enable general maintenance to be performed on Bettis CBA-SR spring return series actuators. The following is a list of general CBA-SR models numbers

MODEL (1)		MODEL (1)		MODEL (1)
CBA315-SR		CBA315-SR-M3		CBA315-SR-M3HW
CBA415-SR		CBA415-SR-M3		CBA415-SR-M3HW
CBA420-SR		CBA420-SR-M3		CBA420-SR-M3HW
CBA520-SR		CBA520-SR-M3		CBA520-SR-M3HW
CBA525-SR		CBA525-SR-M3		CBA525-SR-M3HW
CBA725-SR		CBA725-SR-M3		CBA725-SR-M3HW
(1) Also includes actuator models with -10 and -11 as a suffix				

NOTE: When the actuator model number has "-S" as a suffix then the actuator is special and may have some differences that may not be included in this procedure.

1.1.2 Normal recommended service interval for this actuator series is five years.

NOTE: Storage time is counted as part of the service interval.

1.1.3 This procedure is applicable with the understanding that all electrical power and pneumatic pressure has been removed from the actuator.

1.1.4 Remove all piping and mounted accessories that will interfere with the module(s) that are to be worked on.

1.1.5 This procedure should only be implemented by a technically competent technician who should take care to observe good workmanship practices.

1.1.6 Numbers in parentheses, () indicate the bubble number (reference number) used on the Bettis Assembly Drawing and Actuator Parts List.

1.1.7 When removing seals from seal grooves, use a commercial seal removing tool or a small screwdriver with sharp corners rounded off.

1.1.8 Use a non-hardening thread sealant on all pipe threads.

CAUTION: Apply the thread sealant per the manufacture's instructions.

1.1.9 Bettis recommends that disassembly of the actuator should be done in a clean area on a workbench.

1.2 DEFINITIONS

WARNING: If not observed, user incurs a high risk of severe damage to actuator and/or fatal injury to personnel.

CAUTION: If not observed, user may incur damage to actuator and/or injury to personnel.

NOTE: Advisory and information comments provided to assist maintenance personnel to carry out maintenance procedures.

M3: Jackscrew or jackscrew assembly.

ES: Extended Stop(s)

1.3 GENERAL SAFETY INFORMATION

1.3.1 Products supplied by Bettis, in its "as shipped" condition, are intrinsically safe if the instructions contained within this Service Instruction are strictly adhered to and executed by well trained, equipped, prepared and competent personnel.

WARNING: For the protection of personnel working on Bettis actuators, this procedure should be reviewed and implemented for safe disassembly and reassembly. Close attention should be noted to the WARNINGS, CAUTIONS and NOTES contained in this procedure.

WARNING: This procedure should not supersede or replace any customer's plant safety or work procedures. If a conflict arises between this procedure and the customer's procedures the differences should be resolved in writing between an authorized customers representative and an authorized Bettis representative.

1.4 BETTIS REFERENCE MATERIALS

1.4.1 CBAXXX-SR Assembly Drawing use part number 129739.

1.4.2 CBAXXX-SR-M3/HW Assembly Drawing use part number 129741.

1.5 SERVICE SUPPORT ITEMS

1.5.1 Bettis Service Kit.

1.5.2 Commercial leak testing solution.

1.5.3 Non-hardening thread sealant.

1.6 LUBRICATION REQUIREMENTS

1.6.1 The actuator should be re-lubricated at the beginning of each service interval using the following recommended lubricants.

NOTE: Lubricants other than those listed in steps 1.6.2 should not be used without prior written approval of Bettis Product Engineering. The lubricant item number on some assembly drawings is item (5) while the Bettis service kits lubricant item number is item number (500).

1.6.2 All temperature services (-50°F to +350°F)/(-45.5°C to 176.6°C) use Bettis ESL-5 lubricant. ESL-5 lubricant is contained in the Bettis Module Service Kit in tubes and the tubes are marked ESL-4,5 & 10 lubricant.

1.7 GENERAL TOOL INFORMATION

1.7.1 All threads on CBA series actuators are Inch Unified and NPT.

1.7.2 All tools/Hexagons are American Standard inch. Two adjustable wrenches, Allen wrench set, small standard screwdriver with sharp edges rounded off, medium size standard screwdriver, diagonal cutting pliers, external snap ring pliers, flat file, drive ratchet / deepwell socket set and torque wrench (up to 2,000 inch pounds / 226 N-m).

1.8 ACTUATOR WEIGHT

ACTUATOR MODEL	APPROXIMATE WEIGHT (3)	
	LB	KG
CBA315-SR40 (1)	22	10.0
CBA315-SR60 (1)	23	10.4
CBA315-SR80 (1)	26	11.8
CBA315-SR100 (1)	25	11.4
CBA415-SR40 (1)	27	12.2
CBA415-SR60 (1)	29	13.2
CBA415-SR80 (1)	30	13.6
CBA415-SR100 (1)	31	14.1
CBA420-SR40 (1)	37	16.8
CBA420-SR60 (1)	39	17.7
CBA420-SR80 (1)	40	18.1
CBA420-SR100 (1)	41	18.6

ACTUATOR MODEL	APPROXIMATE WEIGHT (3)	
	LB	KG
CBA520-SR40 (1)	45	20.4
CBA520-SR60 (1)	48	21.8
CBA520-SR80 (1)	49	22.2
CBA520-SR100 (1)	53	24.0
CBA525-SR40 (2)	62	28.1
CBA525-SR60 (2)	65	29.5
CBA525-SR80 (2)	65	29.5
CBA525-SR100 (2)	67	30.4
CBA725-SR40 (2)	97	44.0
CBA725-SR60 (2)	98	44.5
CBA725-SR80 (2)	104	47.2
CBA725-SR100 (2)	107	48.5

NOTES: (1) When model has -M3HW add 2.0 pounds / 0.9 kilograms.
 (2) When model has -M3HW add 4.0 pounds / 1.8 kilograms.
 (3) Weight is for bare actuator without accessories or valve adaptation.

SECTION 2 - ACTUATOR DISASSEMBLY

2.1 GENERAL DISASSEMBLY

WARNING: It is possible, that the actuator may contain a dangerous gas and/or liquids. Ensure that all proper measures have been taken to prevent exposure or release of these types of contaminants before commencing any work.

CAUTION: Pressure applied to the actuator is not to exceed the maximum operating pressure rating listed on the actuator name tag.

NOTE: Before starting the general disassembly of the actuator it is a good practice to operate actuator with the pressure used by the customer to operate the actuator during normal operation. Notate and record any abnormal symptoms such as jerky or erratic operation.

2.1.1 Remove all operating pressure from actuator, allowing the spring to stroke. The spring will rotate the yoke to its fail position.

2.1.2 Record the settings of stop screw / ES / M3 jackscrew (1-70) and stop screw / ES (4-30) before they are loosened or removed.

NOTE: In place of stop screws the actuator may be equipped with one or two ES (ES = Extended Stops) or one M3/M3HW (1-70) located on outboard end of housing (1-10).

2.2 SPRING CYLINDER DISASSEMBLY

NOTE: Review Section 2 steps 2.1.1 through 2.1.2 before proceeding with spring cylinder disassembly.

CAUTION: The spring in CBA Series Spring Return Actuators are preloaded.

WARNING: Actuator must be disassembled in the following manner.

2.2.1 Remove hex nut (1-80) as follows: CBA315 through CBA725 standard housing stop screw or extended stop (ES) use step 2.2.1.1. CBA315-SR-M3/M3HW through CBA725-SR-M3/M3HW use step 2.2.1.2.

2.2.1.1 CBA315 through CBA725 housing stop screw or extended stop screw (ES)

2.2.1.1.1 Loosen and remove hex nut (1-80) and washer (1-90) from stop screw (1-70) located in housing (1-10).

2.2.1.1.2 Remove stop screw (1-70) from the end of housing (1-10).

2.2.1.2 CBA420/CBA520/CBA525/CBA725-SR-M3 or M3HW

2.2.1.2.1 Remove retainer ring (12-30) and groove pin (12-20) from optional hex drive hub or from handwheel (12-10).

2.2.1.2.2 Remove optional hex drive hub or handwheel (12-10) from M3 jackscrew (1-70).

2.2.1.2.3 Loosen and remove hex nut (1-80) from M3 jackscrew (1-70).

NOTE: CBA420/CBA520/CBA525/CBA725-SR-M3 or M3HW models the M3 jackscrew (1-70) can not be removed now. The M3 jackscrew used in these models can be removed later in this procedure per step 2.3.7.

2.2.2 Loosen and remove hex nut (4-40) and washer (4-90) from end cap stop screw (4-30) or from end cap extended stop (4-30).

NOTE: Extended stop or end cap stop screw (4-30) does not require removal from end cap (4-20) unless replacing with a new extended stop or stop screw.

2.2.3 Remove breather (30) from end cap (4-20).

2.2.4 Remove acorn nut (8-20) and gasket seal (5-50) from end cap (4-20).

2.2.5 Use a ratchet and socket on the welded nut, located on the housing end of center bar assembly (8-10), rotate center bar assembly (8-10) counter-clockwise (CCW). This will cause end cap (4-20) to gradually unscrew from center bar assembly (8-10).

NOTE: The end cap (4-20) can be held in position by holding the end cap (4-20) with an adjustable wrench.

2.2.6 Continue to rotate center bar assembly (8-10) counter-clockwise (CCW) until the spring preload is eliminated. As preload is reduced it may be necessary to keep end cap (4-20) from turning.

2.2.7 After the spring preload is eliminated, unscrew and remove end cap (4-20) from center bar assembly (8-10).

2.2.8 Remove spring (4-70) from within spring cylinder (4-10).

2.2.9 Hold torque shaft (1-30) and pull spring cylinder (4-10) away from housing (1-10); slide spring cylinder over piston (4-50) and remove.

2.2.10 Remove spacer (1-110) from center bar assembly (8-10).

2.2.11 Pull piston (4-50) out of housing (1-10) and carefully slide piston off of center bar assembly (8-10).

NOTE: Piston (4-50) is an assembly made up of one roll pin and one yoke pin; do not attempt to disassemble the piston assembly.

2.2.12 On models CBA415-SR, CBA520-SR, and CBA725-SR remove cylinder adapter (4-15).

2.3 HOUSING DISASSEMBLY

2.3.1 Remove center bar assembly (8-10) from housing (1-10).

2.3.2 Remove both retaining rings (1-60) from torque shaft (1-30).

2.3.3 The following steps may be required before disassembly can continue.

2.3.3.1 If torque shaft (1-30) has any raised burrs or sharp edges they should be removed.

NOTE: When removing burrs and sharp edges, remove as little metal as possible.

2.3.3.2 If there is excessive paint build-up on torque shaft (1-30) it should be removed.

2.3.4 Remove the torque shaft (1-30) by pushing it out one side of housing (1-10).

2.3.5 Remove yoke key (1-40) and yoke key spring (1-50) from torque shaft (1-30).

2.3.6 Remove yoke (1-20) from housing (1-10).

2.3.7 Actuator models CBA315-SR with a M3 or M3HW mounted in the outboard end of housing (1-10) remove M3 jackscrew (1-70) from housing (1-10). NOTE: The M3 jackscrew (1-70) will be removed from the inside of housing (1-10).

2.3.8 Actuator models CBA420/520/525/725 with a M3 or M3HW mounted in the outboard end of housing (1-10) complete steps 2.3.8.1 and 2.3.8.2.

2.3.8.1 Remove retainer ring (2-40) from M3 adapter (1-90).

2.3.8.2 Remove M3 adapter (1-90) from housing (1-10). NOTE: The M3 adapter will be removed from the inside of housing (1-10) with the M3 jackscrew.

SECTION 3 - ACTUATOR REASSEMBLY

3.1 GENERAL REASSEMBLY

CAUTION: Only new seals, that are still within the seals expectant shelf life, should be install into actuator being refurbished.

3.1.1 Remove and discard all old seals and gaskets.

3.1.2 All parts should be cleaned to remove all dirt and other foreign material prior to inspection.

3.1.3 All parts should be thoroughly inspected for excessive wear, stress cracking, galling and pitting. Attention should be directed to threads, sealing surfaces and areas that will be subjected to sliding or rotating motion. Sealing surfaces of the cylinder, torque shaft and center bar assembly must be free of deep scratches, pitting, corrosion and blistering or flaking coating.

CAUTION: Actuator parts that reflect any of the above listed characteristics may need replacement with new parts.

3.1.4 INSTALLATION LUBRICATION INSTRUCTIONS: Use the correct lubrication as defined in Section 1 step 1.6.

3.1.4.1 Before installation coat all moving parts with lubricant.

3.1.4.2 Coat all seals with lubricant, before installing into seal grooves.

3.2 HOUSING REASSEMBLY

NOTE: In section 3.2 where the step indicates to "lubricate, coat or apply lubricant", use lubricant as identified in Section 1 step 1.6 for lubricating the part being installed.

NOTE: Review Section 3 steps 3.1.1 through 3.1.4 before proceeding with housing reassembly.

NOTE: Housing M3 jackscrew (1-70) installation: Use steps 3.2.1 for CBA315/415-SR-M3 and steps 3.2.2 for CBA420/520/525/725-SR-M3 includes M3HW models.

3.2.1 M3 JACKSCREW INSTALLATION FOR CBA315/415-SR-M3.

3.2.1.1 Apply a light coating of lubricant to the threads of M3 jackscrew (1-70).

NOTE: M3 jackscrew (1-70) will be installed from the inside of housing (1-10).

3.2.1.2 Insert and rotate M3 jackscrew (1-70) into housing (1-10). NOTE: Rotate the M3 jackscrew into the housing until the inboard end of the M3 jackscrew is up against the inside of housing (1-10).

- 3.2.1.3 Install o-ring seal (2-30) onto M3 jackscrew (1-70) until it is flush with the housing.
- 3.2.1.4 Install hex nut (1-80) onto M3 jackscrew (1-70) until hand tight.
- 3.2.2 M3 JACKSCREW INSTALLATION FOR CBA420/CBA520/CBA525/CBA725-SR-M3.
 - 3.2.2.1 Apply a coating of lubricant to outer diameter and inner diameter threads of M3 adapter (1-90).
 - 3.2.2.2 Coat o-ring seal (2-45) with lubricant and install into outer diameter seal groove located in the M3 adapter (1-90).
 - 3.2.2.3 Apply a light coating of lubricant to the threads of M3 jackscrew (1-70).
 - 3.2.2.4 Install and rotate the M3 jackscrew (1-70) into M3 adapter (1-90). NOTE: Rotate the M3 jackscrew into the adapter until the inboard end of the jackscrew is up against the adapter.
 - 3.2.2.5 Install M3 adapter (1-90) into housing (1-10). NOTE: The M3 adapter will be installed from the inside of housing (1-10).
 - 3.2.2.6 Install retainer ring (2-40) onto groove in M3 adapter (1-90).
 - 3.2.2.7 Install o-ring seal (2-30) onto M3 jackscrew (1-70). NOTE: Move the o-ring seal (2-30) down the M3 jackscrew until it is next to the M3 adapter.
 - 3.2.2.8 Install hex nut (1-80) onto M3 jackscrew (1-70). NOTE: Rotate the hex nut down the M3 jackscrew until it is next to the M3 adapter.
- 3.2.3 Apply a coating of lubricant to the torque shaft holes located on each side of housing (1-10).
- 3.2.4 Coat torque shaft wiper seals (2-20) with lubricant and install in one of the grooves located in the torque shaft bore of the housing (1-10). NOTE: The cup of torque shaft wiper seal will be installed facing down into the housing.
- 3.2.5 Coat yoke (1-20) with lubricant and install into housing (1-10). Apply a generous amount of lubricant to the slots in the arms of yoke (1-20).
- 3.2.6 Insert the yoke key spring (1-50), with the ends pointing down, into the slot in the torque shaft (1-30) and place the yoke key (1-40) on top of the spring with the tapered side outward.

WARNING: If the yoke key (1-40) is installed incorrectly the housing may be damaged when next disassembly occurs. Refer to assembly drawing for correct yoke key spring and yoke key orientation.

- 3.2.7 Hold the yoke key (1-40) down with your thumb; insert the torque shaft (1-30) by gently rotating it into the housing (1-10) and yoke (1-20) on the opposite side of the installed torque shaft wiper seal (2-20) (NOTE: Torque Shaft should be installed with key rotated 180 degrees opposite yoke key slot). When the torque shaft (1-30) is flush with the housing (1-10) push the torque shaft (1-30) through until the empty seal groove is exposed. Install the other torque shaft wiper seal (2-20) into the groove NOTE: The cup of the torque shaft wiper seal again needs to be installed facing inward into the housing.

NOTE: Two new retaining rings (1-60) are contained in the Bettis CBA Service Kits.

3.2.8 Install one of the new retaining rings (1-60) onto the exposed end of the torque shaft, making certain it is properly seated in the groove of the torque shaft (1-30). Gently push and rotate the torque shaft (1-30) until the retaining ring (1-60) is pressed against the housing (1-10). Install the other retaining ring (1-60) to the other side of the torque shaft (1-30).

CAUTION: Rotate the torque shaft until the yoke key snaps into the yoke keyway.

3.2.9 Rotate the torque shaft (1-30) so that the arms of yoke (1-20) point outward.

3.2.10 Coat o-ring seal (5-20) with lubricant and install into inner diameter seal groove located in the center bar hole of housing (1-10).

3.2.11 Coat entire length of center bar (8-10) with lubricant including the threads.

3.2.12 Insert center bar assembly (8-10) into the center hole of housing (1-10). Slide center bar assembly through housing until center bar assembly nut is flush against the housing (1-10).

WARNING: Care should be taken during installation of center bar assembly so as to not scratch it.

3.2.13 Re-coat center bar assembly (8-10) with lubricant.

3.2.14 Coat one o-ring seal (5-10) with lubricant and install onto outer diameter flange located on housing adapter end of housing (1-10).

3.2.15 Actuators equipped with cylinder adapter (4-15), models CBA415-SR, CBA520-SR and CBA725-SR, do steps 3.2.15.1 and 3.2.15.2.

3.2.15.1 Install cylinder adapter (4-15) onto housing flange, with the stepped outer diameter, of cylinder adapter (4-15), facing away from housing (1-10).

3.2.15.2 Install one o-seal (5-15) onto stepped diameter of cylinder adapter (4-15).

3.3 SPRING CYLINDER REASSEMBLY

3.3.1 Coat piston (4-50) outer diameter seal groove, inner diameter seal groove, head of piston and exposed ends of yoke pin with lubricant.

3.3.2 Coat o-ring seal (5-20) with lubricant and install in the internal seal groove in the head of piston (4-50).

3.3.3 Coat seal (5-40) with lubricant and install into outer diameter seal groove of piston (4-50). The piston seal will fit very loosely in the outer diameter seal groove.

3.3.4 Install bushing (1-100) between the two arms of yoke (1-20).

3.3.5 With the piston head facing away from housing (1-10) and with yoke pin up, install piston (4-50) onto center bar assembly (8-10).

3.3.6 Carefully slide piston (4-50) along center bar (8-10) until yoke pin engages the yoke slots.

NOTE: While holding the center bar assembly flush against the housing, push piston (4-50) into housing (1-10) as far as the piston will go.

3.3.7 Apply a coating of lubricant to entire bore of spring cylinder (4-10).

3.3.8 Spring cylinder installation:

3.3.8.1 For CBA415-SR, CBA520-SR and CBA725-SR models install the lubricated spring cylinder (4-10) over the piston and up-against the o-ring seal on the stepped diameter flange of cylinder adapter (4-15).

3.3.8.2 For CBA315-SR, CBA420-SR and CBA525-SR models install the lubricated spring cylinder (4-10) over the piston and up-against the o-ring seal on the flange of housing (1-10).

3.3.9 Install spacer (1-110) onto center bar assembly (8-10).

3.3.10 Apply a coat of lubricant to the spring (4-70). Install the spring into the spring cylinder by carefully sliding the spring into the open spring cylinder end until the spring contacts the head of piston (4-50).

3.3.11 End cap seal installation.

3.3.11.1 For CBA415-SR, CBA520-SR and CBA725-SR models install o-ring seal (5-15) onto end cap (4-20).

3.3.11.2 For CBA315-SR, CBA420-SR and CBA525-SR models install o-ring seal (5-10) onto end cap (4-20).

3.3.12 If removed install stop screw / ES (4-30) into end cap (4-20) and set stop screw to the approximated setting recorded in Section 2 step 2.1.2.

NOTE: Position spring cylinder (4-10) so that spring tag (4-60) will be adjacent to accessory mounting pads located on the actuator housing.

3.3.13 Install end cap (4-20) onto center bar assembly (8-10) by rotating the end cap in a clockwise direction.

3.3.14 Position the end cap (4-20) so that the breather port is at the bottom and the stop screw / ES (4-30) is at the top.

WARNING: Do not allow end cap (4-20) to rotate during center bar assembly tightening. The end cap must maintain the position as described in step 3.3.14.

3.3.15 Keep end cap (4-20) from turning by holding end cap with an adjustable wrench.

3.3.16 Using a ratchet and socket on the center bar assembly nut, rotate center bar assembly clockwise (CW). This will cause end cap (4-20) to gradually screw further onto center bar assembly (8-10).

- 3.3.17 Continue to rotate center bar assembly (8-10) clockwise until spring (4-70) is fully compressed, the spring cylinder is seated against the flange of housing (1-10) or adapter (4-15) and end cap (4-20) is properly seated in spring cylinder (4-10).

3.3.18 Tighten center bar assembly (8-10) to the proper torque as specified in the following chart.

ACTUATOR MODEL	MAXIMUM TORQUE	
	FT. LBS.	N-m
CBA315-SR and CBA415-SR	55	75
CBA420-SR and CBA520-SR	100	136
CBA525-SR and CBA725-SR	130	176

- 3.3.19 Place seal gasket (5-50) on the exposed end of the center bar assembly (8-10).
- 3.3.20 Place acorn nut (8-20) on the exposed outboard end of center bar assembly (8-10) and tighten securely.
- 3.3.21 Install the stop screw / ES / M3 jackscrew (1-70) for CBA315/CBA415-SR-M3 and non M3 model actuators as follows:
- 3.3.21.1 Install stop screw / ES / M3 jackscrew (1-70) into housing (1-10) and screw in until stop screw contacts the piston.
- 3.3.21.2 Install o-ring seal (2-30) onto stop screw / ES / M3 jackscrew (1-70) until it is flush with the housing.
- 3.3.21.3 Install hex nut (1-80) onto stop screw (1-70) until hand tight.
- 3.3.22 Install o-ring seal (5-30) onto the stop screw / ES (4-30) until it is flush with the end cap.
- 3.3.23 Install new washer (4-90) onto the stop screw / ES (4-30) until it is close to the end cap
- 3.3.24 Install hex nut (4-40) onto stop screw / ES (4-30) until hand tight.
- 3.3.25 Adjust stop screw / ES / M3 jackscrew (1-70) and stop screw / ES (4-30) back to setting recorded in Section 2 step 2.1.2 under General Disassembly. Tighten both stop screw hex nuts (4-40) and (1-80) securely, while holding stop screw (1-70) and (4-30).
- 3.3.26 M3 hex drive hub or handwheel installation as follows:
- 3.3.26.1 Install hex drive hub (12-10) or handwheel (12-10) onto M3 jackscrew (1-70) and align the "hole" of the drive hub with the "hole" located in the M3 jackscrew.
- 3.3.26.2 Install retainer ring (12-30) and groove pin (12-20) into the hex drive hub (12-10) or handwheel (12-10).

SECTION 4 - ACTUATOR TESTING

4.1 ACTUATOR TESTING

- 4.1.1 **Leak Test - General** - A small amount of leakage may be tolerated. Generally, a small bubble which breaks about three seconds after starting to form is considered acceptable.
- 4.1.2 All areas, where leakage to atmosphere may occur, are to be checked using a commercial leak testing solution.

WARNING: Pressure is not to exceed the maximum operating pressure rating listed on the serial number tag (20).

- 4.1.3 All leak testing will use the customer normal operating pressure or the actuator name tag normal operating pressure (NOP). NOTE: When testing the actuator use a proper adjusted regulator to apply pressure to the actuator.
- 4.1.4 Before testing for leaks, apply and release the pressure listed in step 4.1.3 to the housing side of the piston. Repeat this cycle approximately five times. This will allow the new seals to seek their service condition.
- 4.1.5 Apply the pressure listed in step 4.1.3 to the housing side of the piston and allow the actuator to stabilize.
- 4.1.6 Apply a leak testing solution to the following areas:
- 4.1.6.1 Spring cylinder to housing joint on CBA315-SR, CBA420-SR, and CBA525-SR or spring cylinder to cylinder adapter to housing joints on CBA415-SR, CBA520-SR, and CBA725-SR actuators.
 - 4.1.6.2 On the out board end of housing (1-10) at the center bar assembly nut. Checks the center bar to housing o-ring seal (5-20).
 - 4.1.6.3 Housing stop screw o-ring seal (2-30).
 - 4.1.6.4 Torque shaft (1-30) to housing (1-10) interface. Checks rod wiper seals (2-20).
 - 4.1.6.5 End cap (4-20) port hole. Checks the piston to cylinder seal (5-40) and piston to center bar seal (5-20).
 - 4.1.6.6 Remove pressure from pressure inlet port in the housing (1-10).
- 4.1.7 If an actuator was disassembled and repaired as a result of this procedure, the above leakage test must be performed again.

4.1.8 Operational (Functional) Test: This test is used to verify proper function of the actuator.

NOTE: This test is to be done off of the valve or when valve stem is not coupled to the actuator torque shaft.

4.1.8.1 Adjust the pressure regulator to the pressure rating that the customer uses to operate the actuator during normal service.

4.1.8.2 Apply the above pressure to the actuator and allow the actuator to stabilize. The actuator should stroke a full 90° travel with the stops properly set.

4.2 RETURN TO SERVICE

4.2.1 Install breather (30) into end cap (4-20).

4.2.2 After the actuator is installed back on the valve all accessories should be hooked up and tested for proper operation and replaced, if found defective.

4.3 PRESSURE REQUIREMENT & LIMITATIONS FOR CBA-SR ACTUATORS

ACTUATOR MODEL	NOMINAL OPERATING PRESSURE		MAXIMUM OPERATING PRESSURE	
	Psig	Barg	psig	barg
CBA315-SR40	40	2.76	145	10.00
CBA315-SR60	60	4.14	160	11.03
CBA315-SR80	80	5.52	170	11.72
CBA315-SR100	100	6.89	180	12.41
CBA415-SR40	40	2.76	90	6.21
CBA415-SR60	60	4.14	100	6.89
CBA415-SR80	80	5.52	115	7.93
CBA415-SR100	100	6.89	130	8.96
CBA420-SR40	40	2.76	140	9.65
CBA420-SR60	60	4.14	155	10.69
CBA420-SR80	80	5.52	165	11.38
CBA420-SR100	100	6.89	180	12.41

ACTUATOR MODEL	NOMINAL OPERATING PRESSURE		MAXIMUM OPERATING PRESSURE	
	psig	Barg	psig	barg
CBA520-SR40	40	2.76	100	6.89
CBA520-SR60	60	4.14	110	7.58
CBA520-SR80	80	5.52	125	8.62
CBA520-SR100	100	6.89	135	9.31
CBA525-SR40	40	2.76	160	11.03
CBA525-SR60	60	4.14	175	12.07
CBA525-SR80	80	5.52	190	13.10
CBA525-SR100	100	6.89	200	13.79
CBA725-SR40	40	2.76	95	6.55
CBA725-SR60	60	4.14	105	7.24
CBA725-SR80	80	5.52	120	8.27
CBA725-SR100	100	6.89	135	9.31

ECN	DATE	REV		BY *	DATE
18743	Aug 2005	B	COMPILED	L. Ramirez	18 April 2007
19527	April 2007	C	CHECKED	C. Ross	18 April 2007
			APPROVED	D. McGee	18 April 2007

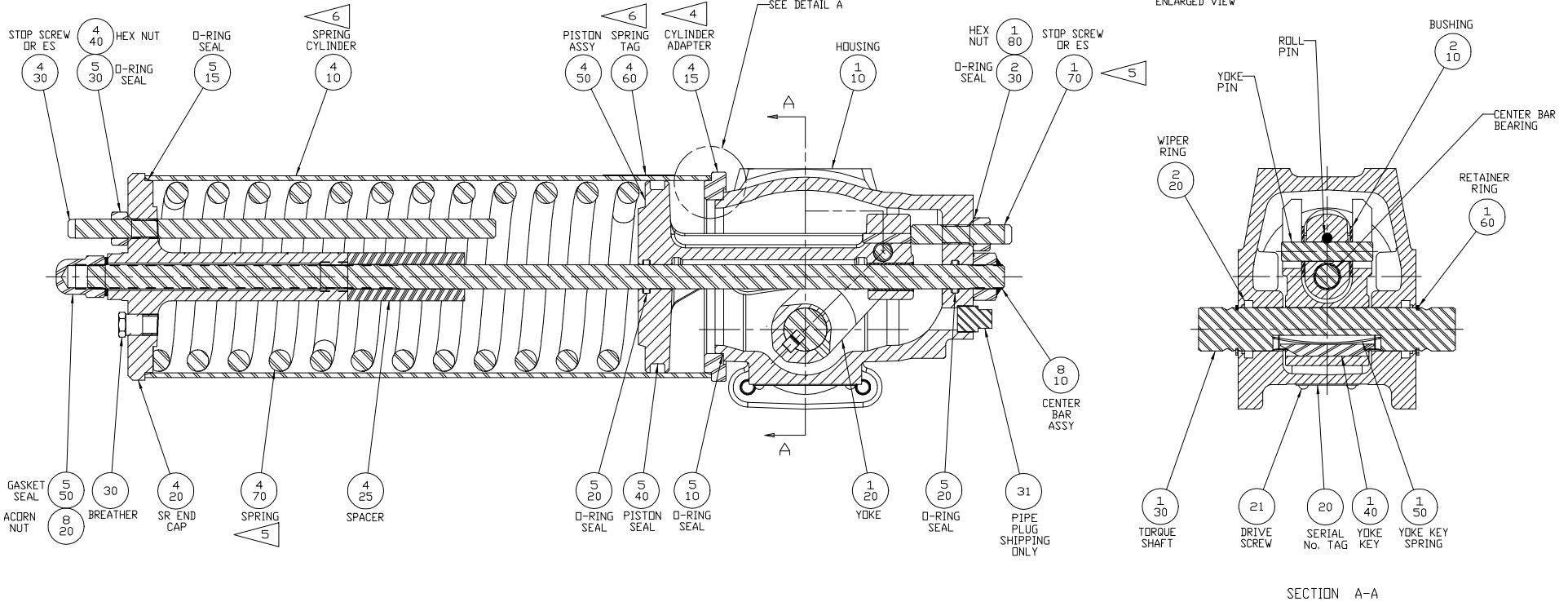
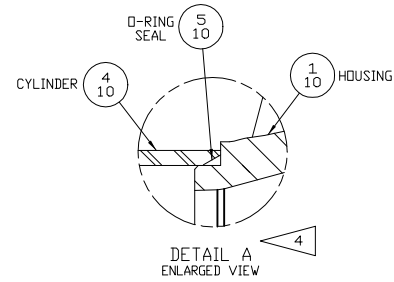
* Signatures on file Bettis Actuator & Controls, Waller, Texas

NOTE:

1. ALL PARTS SHOULD BE INSPECTED AND CAREFULLY CLEANED TO REMOVE ALL DIRT AND FOREIGN MATTER.
2. APPLY LUBRICANT (500) TO ALL COMPONENTS BEFORE ASSEMBLY.
3. INSPECT PER ES-6.

4. CYLINDER ADAPTER (4-15) NOT REQUIRED ON ALL MODELS.
5. IF EQUIPPED WITH EXTENDED STOP (ES) ITEM 1-70, FULLY RETRACT TRAVEL STOP TO INSURE SPRING (4-70) IS IN THE FULL SPRING RETURN POSITION BEFORE DISASSEMBLY.
6. LOCATE SPRING TAG (4-60) ON CENTERLINE OF CYLINDER (4-10) ADJACENT TO ACCESSORY MOUNTING PADS ON TOP OF HOUSING.

REVISIONS		
LTR	ECN	DATE
B	17764	01/11/02

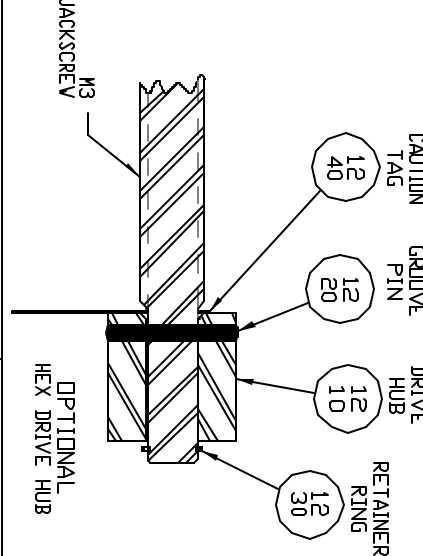
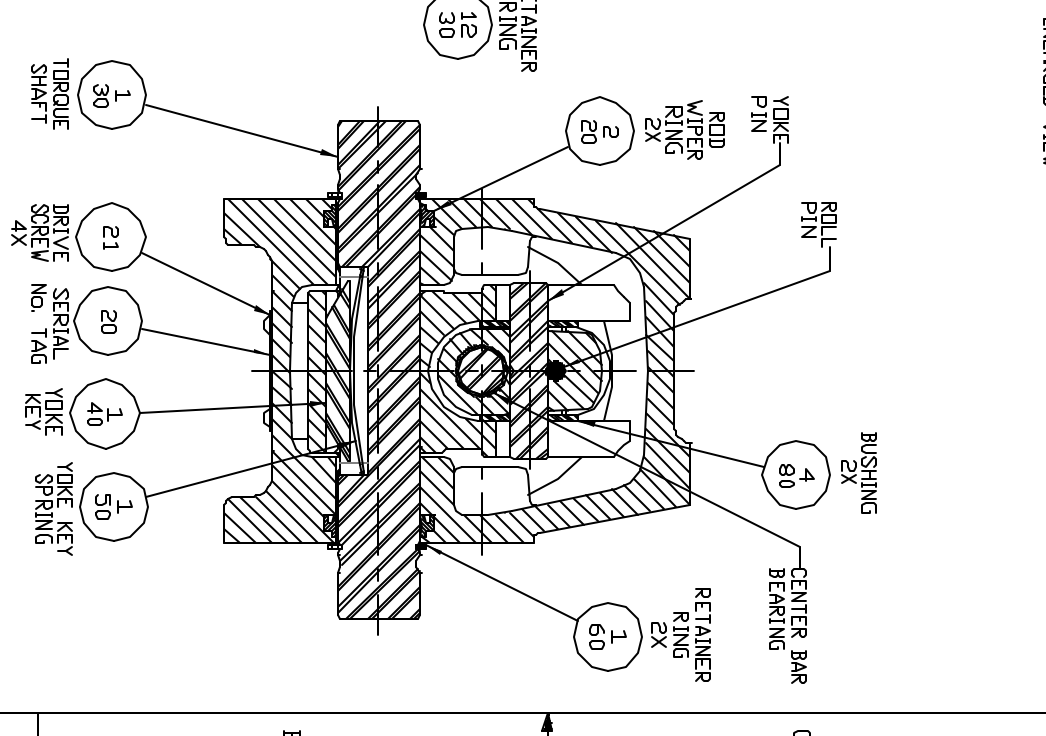
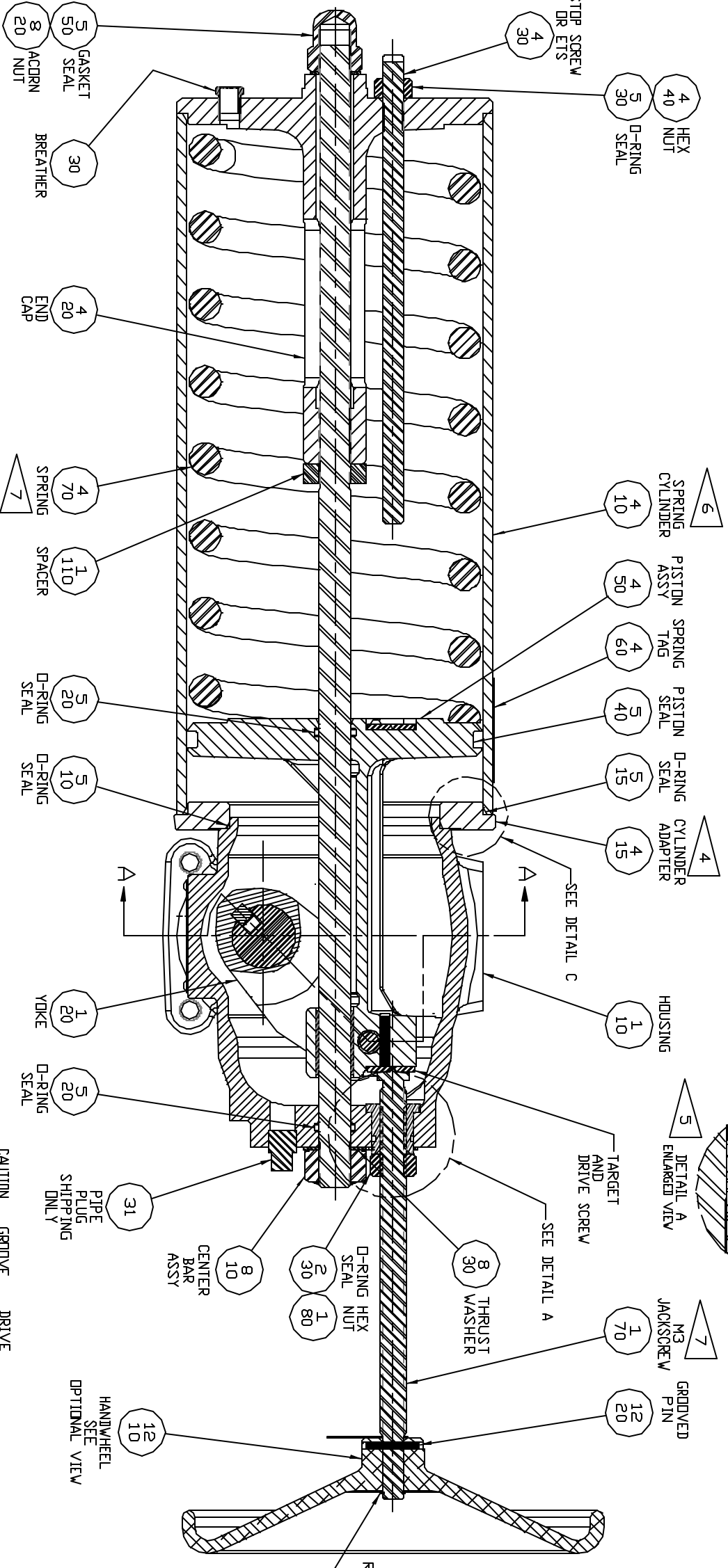
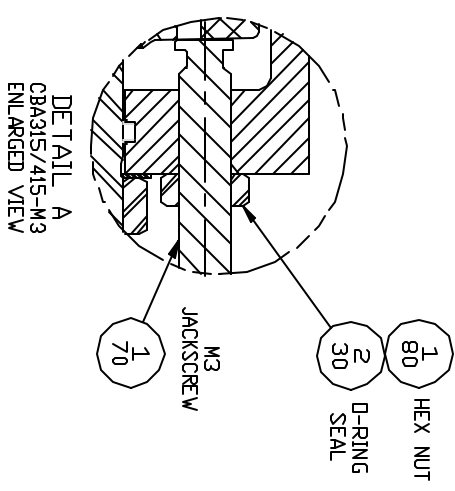
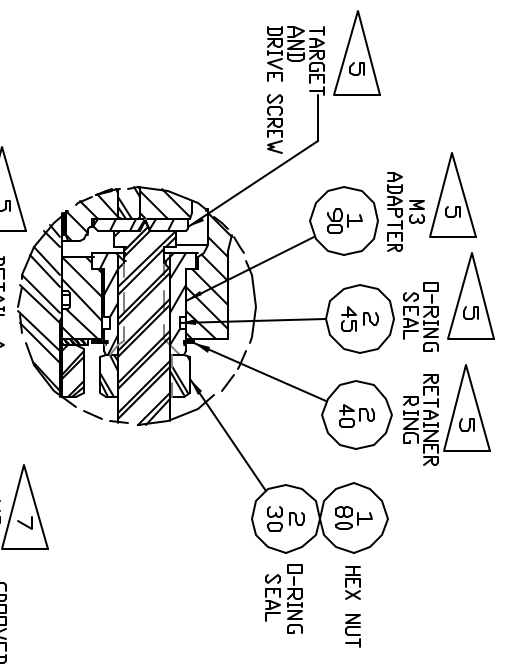
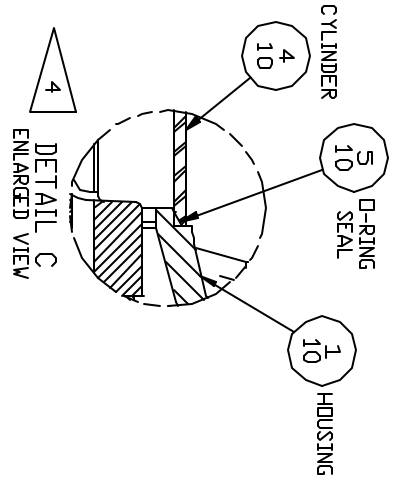


SECTION A-A

DRAWN BY: P. EDMONSTON	DATE: 07/21/99	TITLE: CBAXX-SRX ASSEMBLY DWG	
CHECKED BY: L.F. GRICHMAN	DATE: 11/24/99		
APPROVED BY: B. JUMAVAN	DATE: 12/02/99		
<small>THIS DOCUMENT AND THE DATA DISCLOSED HEREIN OR HEREWITH IS NOT TO BE REPRODUCED, USED OR DISCLOSED IN WHOLE OR IN PART TO ANYONE WITHOUT THE PERMISSION OF BETTIS.</small>			
SALES ORDER:	CAD GENERATED DRAWING <input checked="" type="checkbox"/>	THIRD ANGLE PROJECTION <input checked="" type="checkbox"/>	PART NO. 129739 SCALE NTS DWG. SIZE B SHEET 1 OF 1 REV.

REVISIONS		
LT#	ED#	DATE
E	17972	08/08/02

- NOTE:
1. ALL PARTS SHOULD BE INSPECTED AND CAREFULLY CLEANED. TO REMOVE ALL DIRT AND FOREIGN MATTER.
 2. APPLY LUBRICANT (500) TO ALL COMPONENTS BEFORE ASSEMBLY.
 3. INSPECT PER ES-6.
 4. CYLINDER ADAPTER (4-15) NOT REQUIRED ON ALL MODELS.
 5. NOT USED ON CBA315/415 MODELS.
 6. LOCATE SPRING TAG (4-60) ON CENTERLINE OF CYLINDER (4-10) ADJACENT TO ACCESSORY MOUNTING PADS ON TOP OF HOUSING.
 7. FULLY RETRACT M3 JACKSCREW (1-70) TO INSURE SPRING (4-70) IS IN THE FULL SPRING RETURN POSITION BEFORE DISASSEMBLY.



DESIGNED BY L.F. GORDMAN	DATE 11/24/99	TITLE CBA315-SPX-M3HW ASSEMBLY DRAWING	PART NO. 129741
CHECKED BY B. JINAVAN	DATE 12/02/99		SCALE D
THIS DRAWING AND THE DATA DISCLOSED HEREIN OR HEREVIA IS UNCLASSIFIED AND RELEASED IN FULL TO ANYONE WITHOUT THE PERMISSION OF BETTIS.		CAD GENERATED DRAWING	DWG. SIZE E
SALES ORDER			SHEET 1 OF 1