

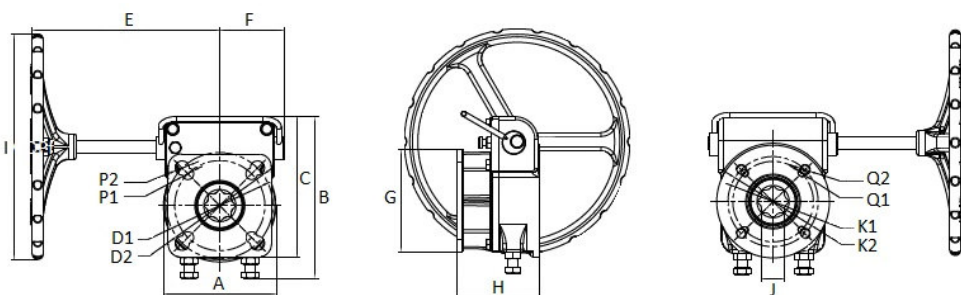
The KingAct manual override gear mainly contains of:

- 1) lever, stainless steel
- 2) gear shaft, carbon or stainless steel
- 3) handwheel, cast iron
- 4) worm, carbon steel
- 5) breather block (optional), aluminium
- 6) lock-pin, stainless steel
- 7) spur gear, cast iron
- 8) flange cover, cast iron
- 9) housing, cast iron

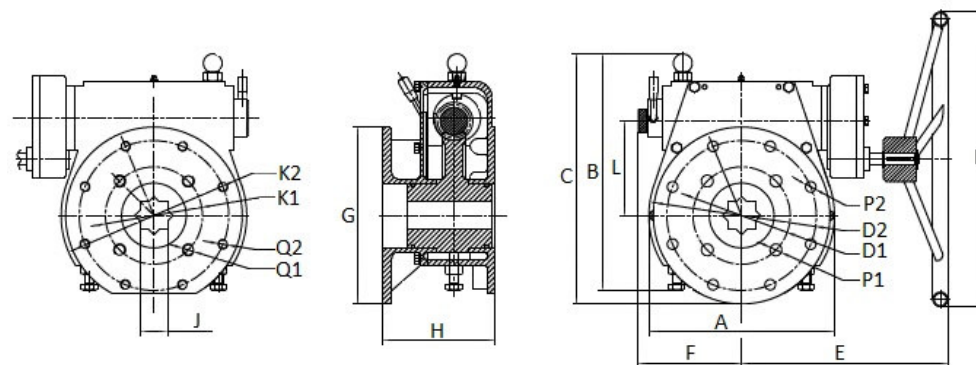


It is suitable for all 90° rotary movements in the standard temperature range from -20°C to +80°C. A low temperature (-40°C - +80°C) or high temperature (-20°C - +120°C) version is also available. All connections according to ISO5211. IP protection level 67.

The special feature is the optional forced ventilation of the installed actuator when using the gearbox (if appropriately piped).



visualization JHM 40 up to JHM 85



visualization JHM 210 and JHM 410 85

type	flange connection								dimensions								technical data					
	Vierkant J	ø K1	ø K2	Q1	Q2	ø D1	ø D2	P1	P2	A	B	C	E	F	ø G	H	ø I	ratio	Input torque in Nm	output torque in Nm	Valve connection	Actuator connection
JHM40	17	50	70	4x M6	4x M8	50	70	4x ø7	4x ø9	85	129	116	146	55	70	98	150	40:1	15	150	F05 / F07	F05 / F07
JHM28	22	70		4x M8		70	102	4x ø9	4x ø11	112	170	146	187	77	100	115	200	28:1	45	300	F07	F07 / F10
JHM32	22	70	102	4x M8	4x M10	102	125	4x ø11	4x ø14	138	184	160	194	86	120	125	200	32:1	45	530	F07 / F10	F10 / F12
JHM50	27	102	125	4x M10	4x M12	102	125	4x ø11	4x ø14	150	213	185	235	90	120	133	300	50:1	90	1100	F10 / F12	F10 / F12
JHM62	36	125	140	4x M12	4x M16	140	165	4x ø18	4x ø22	175	252	219	291	100	160	189	400	62:1	130	2100	F14	F14 / F16
JHM70	46	165		4x M20		140	165	4x ø18	4x ø22	247	321	286	324	111	160	189	500	70:1	150	2800	F16	F14 / F16
JHM85	46	165		4x M20		165		4x ø22		292	315	300	423	146	200	196	600	85:1	190	4000	F16	F16
JHM210	46	165	298	4x M20	4x M16	165	254	4x ø22	8x ø18	306	375	409	494	186	300	253	600	210:1	160	8100	F16 / F25	F16 / F25
JHM410	55	256	254	4x M16	8x M20	298		4x ø22		355	410	451	571	203	300	271	800	412:1	175	1700	F25 / F30	F30